

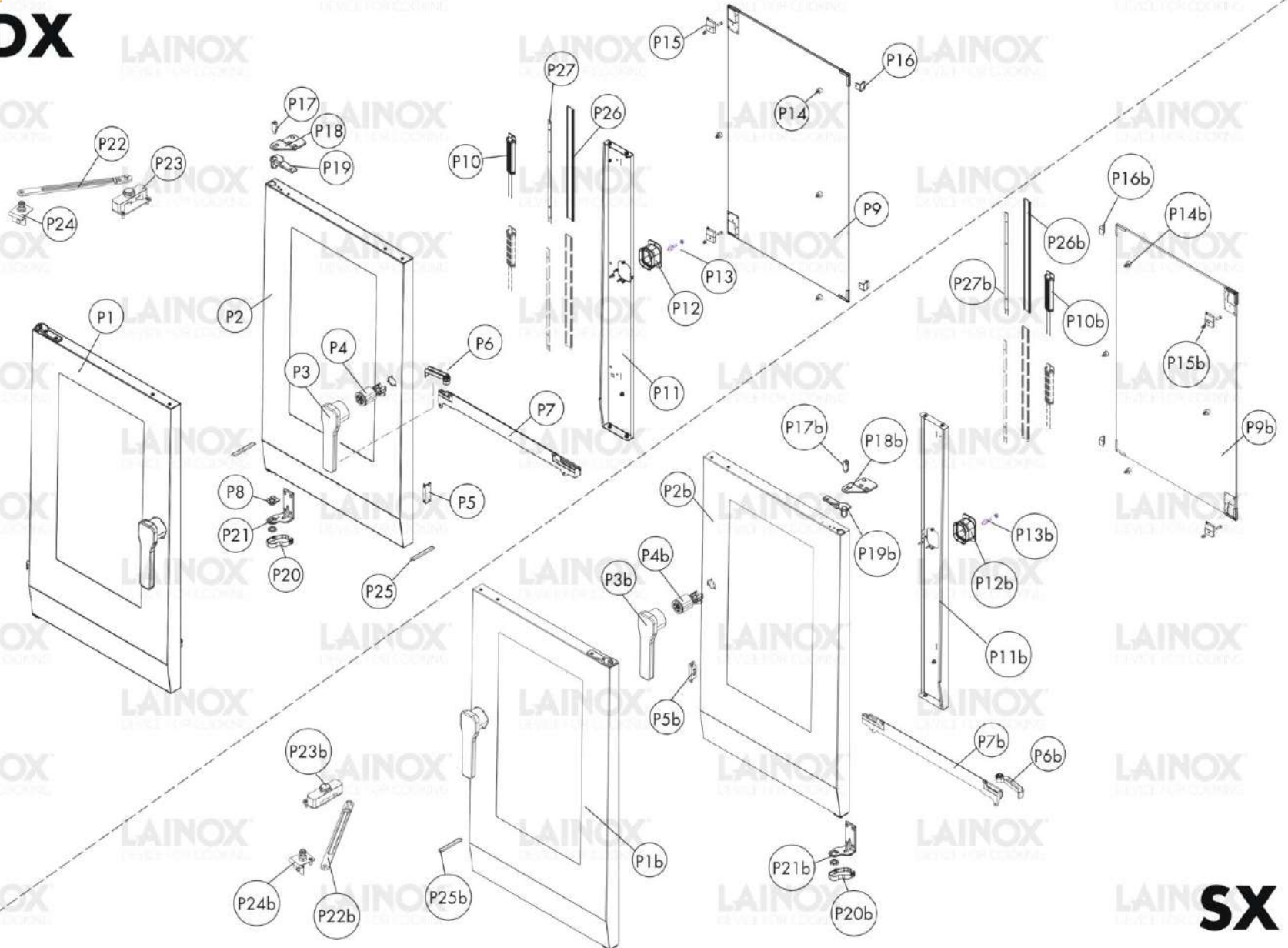
Warning! The exploded views refer to the general model

**General**

Pos.	Code	Previous code	Description	Notes	From:	Up to:
0001	LA21400570		PANEL [C] SIDE B. 061			
0001	LA21400570VERN		SIDE BLACK N/S 061B	Black		
0002	LA21400570		PANEL [C] SIDE B. 061			
0002	LA21400570VERN		SIDE BLACK N/S 061B	Black		
0003	LA75300050		PLATE [C] FAN D. 270 N/S071 2014			
0004	LAR58007490		BAFFLE PLATE FIXING PIN MARINE			
0005	LA21112810		BAFFLE PLATE N/S E061B MARINE	GN		
0005	LA21112830		BAFFLE PLATE ARE_054B MARINE	EN		
0006	LA70048142		OVEN DOOR GASKET [C] 495X460 MM			
0007	LAR21202900		DOOR TRAY HINGE R. N/S 61/101B			
0007	LAR69180720		FRONT TRAY HINGE L. N2/S2 61/101			
0008	LA69180250		FILTER [C] DRIP COLLECTOR DRAIN			
0009	LA21400630		RACK 6 LIV.GN1/1 B. 061			
0009	LA21414930		RACK GN1/1 WIRE L. N/S 061B			
0010	LA21205170		RACK 5EN			
0010	LAR21202670		RACK 5EN NA/SA 061			
0011	LA21205160		RACK GN1/1 R. N/S 061B MARINE			
0012	LA21400630		RACK 6 LIV.GN1/1 B. 061			
0012	LA21414920		RACK GN1/1 WIRE R. N/S 061B			
0013	LA21205170		RACK 5EN			
0013	LA21406730		PARATIA 5 LIV.PASTICCERIA N2/S2 061@			
0014	LA21205160		RACK GN1/1 R. N/S 061B MARINE			
0015	LA21101660		FILTER [C] DRAIN D.60 B.			
0016	LAR21115150		CABINET DRAIN			
0016	LAR70030190		GRAPHITE GASKETS KIT [C] 90x90x3 SET 5 PIECES			
0017	LA21107530		CONDENSATION PIPE 101>161		6/27/2022	
0017	LA70010490		SEAL O-RING 106 - min. 10 pcs or multiples		6/27/2022	
0017	LAR21116260		KIT TUBI CONDEN.L230 GOM-Y-UG-UG NFS	UL Version	6/27/2022	
0018	LA70060050		RUBBER SLEEVE [C] D. 60			
0019	LAR21100050		DRAIN BOX N/S B. 061/062/101/102			
0019	LAR21105740		DRAIN BOX UL N/S 06x/10xB	UL Version		
0020	LA21202950		FRONT TRAY PIPE HINGE R. N/S 61/101B			
0020	LA69180610		PIPE [C] DRIP TRAY GN1/1			
0021	LA69070400		FOOT [C] LX.50-SW19-AS-SST-M10X46			
0022	LA70030301		SEAL FASTDRY 2022		5/29/2023	
0023	LAR65090510		GEARED MOTOR FASTDRY 2022		5/29/2023	

Pos.	Code	Previous code	Description	Notes	From:	Up to:
0023	LAR65095000		MOTOR			5/26/2023
0024	LA61020582		SCREW [C] TE A2 M6X60 UNI5737			
0025	LA58004000		SCREW [C] M12X1.5			
0026	LA58004010		WASHER [C] D. 30/12,5			
0027	LAR75401270		FAN [C] CHAMBER D. 240x120H 061 B.			
0028	LA21400100		COVER [C] MOTOR GASKET FLANGE B.			
0029	LA70020080		GASKET [C] MOTOR SHAFT			
0030	LA58007640		FLANGE [C] MOTOR GASKET B.			
0031	LAR65045070		MOTOR [C] FAN 750W B.			
0032	LA21108950		FASTDRY COMPLETE 2022		5/29/2023	
0032	LAR65095000		MOTOR			5/26/2023
0033	LA70060250		SLEEVE D1=50/D2=53,5 L50		5/29/2023	
0034	LAR70030180		GRAPHITE GASKETS KIT [C] 80x50,3x3 SET 5 PIECES			
0035	LAR69180580		SAFETY VENT PIPE N2/S2 06x			
0036	LAR65320220		PROBE K L1,5M			
0037	LA65241050		SPACER [C] SILICON L=9.5 MM			
0038	LA70010470		GASKET [C] OR173 VITON FP75			
0039	LAR21200080		HUMIDIFIER CONNECTION PIPE N2/S2			
0040	LA70700110		GUARN.UMID/DET GRAF.ARM.70X32			
0041	LAR21201870		KIT HUMIDITY/WASHING PIPE B. 061/062			
0042	LA21205180		FLANGED FOOT H.105	Marine		
0042	LA69070380		FOOT [C] ADJ.13/4 A441 C/VITE M10x25 H105			
0043	LA70010320		GASKET [C] V-SEAL VA-0060 NBR			5/26/2023
0043	LA70010850		SEAL OR 60 X 2,62		5/29/2023	
0044	LAR58007830		CAP [C] FASTDRY B.			5/26/2023
0044	LAR69181180		LID FAST-DRY		5/29/2023	
0045	LAR65320220		PROBE K L1,5M			
0046	LA21208390V		ASS.ZOCCOLO N2/S2 061/101 NERO 9005	Black		
0046	LA21221600		ASS.ZOCCOLO N2/S2 061/101			
0046	LA21411640		CLOSING L. N/S 061/101 ETL	UL Version		
0047	LAR69110070		KIT PANELS MAGNETS N/S B.			
0048	LA21208390V		ASS.ZOCCOLO N2/S2 061/101 NERO 9005	Black		
0048	LA21221600		ASS.ZOCCOLO N2/S2 061/101			
0048	LA21411630		CLOSING R. N/S 061/101 ETL	UL Version		
0049	LAR69110070		KIT PANELS MAGNETS N/S B.			
0050	LA62090908		CONNECTION [C] JG STRAIGHT F/F D.10			

Pos.	Code	Previous code	Description	Notes	From:	Up to:
0051	LA21107480		PIPE [C] SYLICON 5x10 L950 GOM-DR			
0052	LAR65110330		SOLENOID VALVE [C] 2 WAYS 230V 50/60HZ OUT JG F D10	Mod.with boiler		
0052	LAR65110340		SOLENOID VALVE [C] 2 WAYS 230V 50/60HZ OUT JG F D10	Mod.without boiler		
0052	LAR65110770		ELECTRO VALVE [C] 230V 50/60HZ 2 WAYS OUT J.G. D.10 UL	Mod.with boiler UL Version		
0052	LAR65110780		SOLENOID VALVE [C] 230V50/60HZ	Mod.without boiler UL Version		
0053	LA14170880		PRE-A. WATER PRESSURE SWITCH	Mod. without boiler		

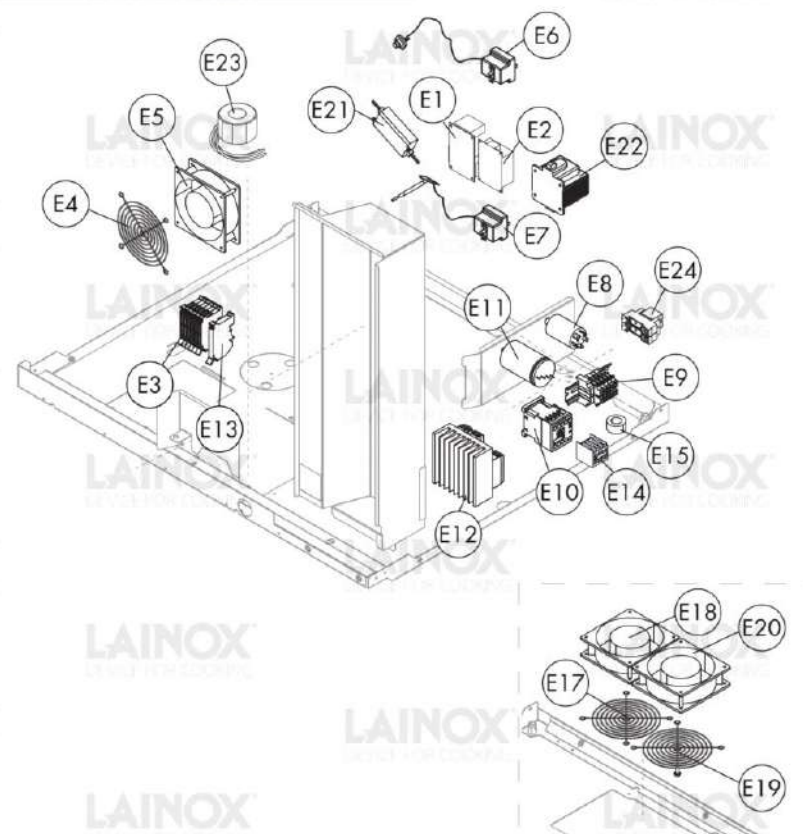
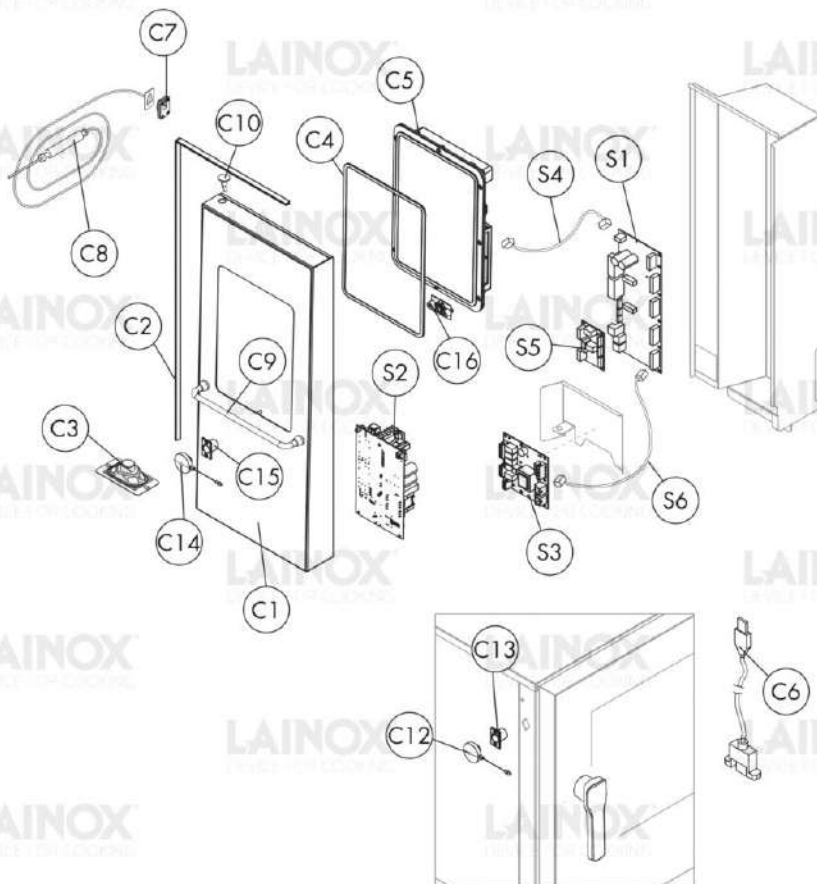
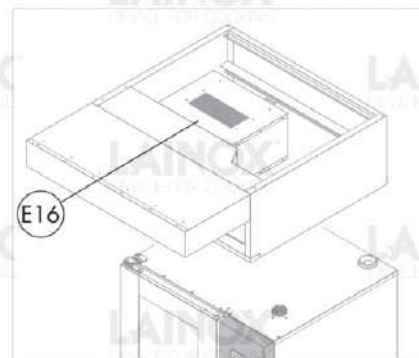
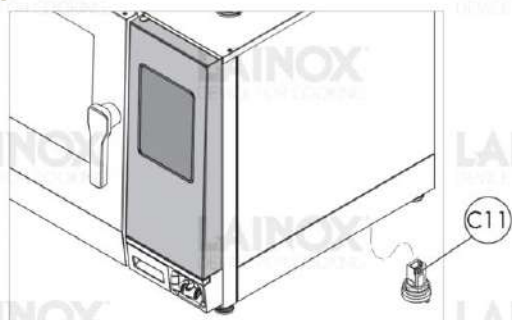


Warning! The exploded views refer to the general model

Pos.	Code	Previous code	Description	Notes	From:	Up to:
00P1	LA21100500		DOOR [C] COMPLETE B. 061 LAINOX			10/20/2023
00P1	LA21101640		DOOR [C] COMPLETE B. 061 NO LOGO			10/20/2023
00P1	LA21110870V		COMPL DOOR BLACK LAINOX N5 061 SLS	5.0+SMART LIGHTING SYSTEM+BLACK	10/23/2023	
00P1	LA21110880		COMPL DOOR LAINOX N5 061 SLS	5.0+SMART LIGHTING SYSTEM	10/23/2023	
00P1	LA21111000		COMPL DOOR LAINOX N5 061	5.0	10/23/2023	
00P1	LA21113230V		COMPL DOOR BLACK LAINOX N5 061	5.0+BLACK	10/23/2023	
00P1	LA21113290		COMPL DOOR NEUTRAL N5 061	5.0	10/23/2023	
00P1	LA21115200		COMPL DOOR NEUTRAL N5 061SLS	5.0+SMART LIGHTING SYSTEM	10/23/2023	
00P2	LAR21201020		EXTERIOR DOOR LAINOX N/S 061B			
00P2	LAR21202390		EXTERIOR DOOR NEUTRAL N/S 061B			
00P2	LAR21207840		PORTA ESTERNA N2/S2 061 LAINOX NERO 9005	BLACK		
00P3	LA17110810		HANDLE LAINOX N2/S2/P			
00P3	LA69011260		HANDLE OEM NA/SA/SY			
00P4	LA69011021		LOCK [C] DOOR 2020			
00P5	LAR65265100		MICROSWITCH [C] DOOR			
00P6	LA69180731		DRAIN [C] DOOR DRIP TRAY B.			
00P7	LAR69180740		DOOR DRIP COLLECTOR B. 061/101			
00P8	LA58007700		PIN [C] LOWER DOOR HINGEB.			
00P9	LAR71203100		INNER GLASS DOOR N/S 061B			
0P10	LA65270590		LAMP [C] LED L=130MM 12V DC			10/20/2023
0P11	LAR21201030		DOOR UPRIGHT R. INF. N/S 062/			
0P12	LA69011130		COVER [C] DOOR HOOK B.			
0P13	LA69010260		PRONG [C] 1 STEP			
0P13	LA69010520		PRONG 2 STEP NA/SA	2 Step		
0P14	LAR70050180		SPACER [C] GLASS PLATE 15X8 (min.10 pcs or multiples)			
0P15	LAR58001760K		DOOR GLASS HINGE			
0P16	LAR17406231		GLASS HOLDER (2x)			
0P17	LAR58007690		UPPER DOOR HINGE PIN N2/S2			
0P18	LA21400370		HINGE [C] DOOR UPPER B.			
0P18	LA21415090V		UPPER DOOR HINGE BLACK N2/S2	BLACK		
0P19	LAR21400390		DOOR TOP PLATE KIT N2/S2			
0P19	LAR21415100		DOOR TOP PLATE BLACK KIT N2/S2	BLACK		
0P1b	LA21102450		DOOR [C] COMPLETE H.RIGHT B. 061 NO LOGO			10/20/2023
0P1b	LA21102520		DOOR [C] COMPLETE H.RIGHT B. 061 LAINOX			10/20/2023

Pos.	Code	Previous code	Description	Notes	From:	Up to:
0P1b	LA21112080		COMPL.DOOR HINGE R. LAINOX N5 061	5.0	10/23/2023	
0P1b	LA21113200V		COMPL.DOOR HINGE R. BLACK N5 061 SLS	5.0+SMART LIGHTING SYSTEM+BLACK	10/23/2023	
0P1b	LA21113960		COMPL.DOOR HINGE R. NEUTRAL N5 061	5.0	10/23/2023	
0P1b	LA21116340		COMPL.DOOR HINGE R. LAINOX N5 061 SLS	5.0+SMART LIGHTING SYSTEM	10/23/2023	
0P1b	LA21116660V		COMPL.DOOR HINGE R. BLACK N5 061	5.0+BLACK	10/23/2023	
0P1b	LA21116670		COMPL.DOOR HINGE R. NEUTRAL N5 061SLS	5.0+SMART LIGHTING SYSTEM	10/23/2023	
0P20	LA69180710		COVER [C] HINGE B.			
0P21	LA21400360		HINGE [C] DOOR LOWER B.			
0P21	LA21415080V		LOWER DOOR HINGE BLACK N2/S2	BLACK		
0P22	LAR58008190		DOOR STOPPER KIT N2/S2 MARINE			
0P23	LAR58008200		KIT FERMO SUP.GUIDA SCORREV.PORTA N2/S2			
0P24	LAR58000640		DOOR STOPPER PIN N/S MARINE			
0P25	LA69181200		CLOSING			
0P26	LAR71210020		GLASS LED N2/S2 06x	5.0	10/23/2023	
0P27	LA66115980		LIGHT WIRING N/S 06xB	5.0	10/23/2023	
0P27	LA66117930		LIGHT WIRING SLS N5 06x/10xB	5.0+SMART LIGHTING SYSTEM	10/23/2023	
0P27	LAR65270620		LAMP LED N5 SLS	5.0+SMART LIGHTING SYSTEM	10/23/2023	
0P27	LAR65270640		LAMP LED N5	5.0	10/23/2023	
0P2b	LAR21203420		EXT.DOOR HINGE R. NEUTRAL N/S 061B			
0P2b	LAR21203550		EXT.DOOR HINGE R. LAINOX N/S 061B			
0P2b	LAR21208140		EXT.DOOR HINGE R. BLACK N/S 061B	BLACK		
0P3b	LA17110810		HANDLE LAINOX N2/S2/P			
0P3b	LA69011260		HANDLE OEM NA/SA/SY			
0P4b	LA69011021		LOCK [C] DOOR 2020			
0P5b	LAR65265100		MICROSWITCH [C] DOOR			
0P6b	LA69180731		DRAIN [C] DOOR DRIP TRAY B.			
0P7b	LAR21202890		BACINELLA PORTA CONTR.N2/S2 061/101			
0P7b	LAR21208240		BACINELLA POR.CON.N2/S2 061/101 NERO9005	BLACK		
0P9b	LAR71203100A		INNER GLASS DOOR HINGE R. N/S 061B			
P10b	LA65270590		LAMP [C] LED L=130MM 12V DC			10/20/2023
P11b	LAR21203400		UPRIGHT L. DOOR HINGE R. N/S061/062B			
P12b	LA69011130		COVER [C] DOOR HOOK B.			
P13b	LA69010260		PRONG [C] 1 STEP			

Pos.	Code	Previous code	Description	Notes	From:	Up to:
P13b	LA69010520		PRONG 2 STEP NA/SA	2 Step		
P14b	LAR70050180		SPACER [C] GLASS PLATE 15X8 (min.10 pcs or multiples)			
P15b	LAR58001760K		DOOR GLASS HINGE			
P16b	LAR17406231		GLASS HOLDER (2x)			
P17b	LAR58007690		UPPER DOOR HINGE PIN N2/S2			
P18b	LA21202920		R HINGE NA/SA			
P18b	LA21208180V		UPPER DOOR HING R. BLACK N2/S2	BLACK		
P19b	LAR21202910		KIT PIASTRA SUPERIORE PORTA CONTR.N2/S2			
P19b	LAR21208110		DOOR TOP PLATE HINGE R. BLACK KIT N2/S2	BLACK		
P21b	LA21204060		R HINGE NA/SA			
P21b	LA21208170V		LOWER DOOR HINGE R. BLACK N2/S2	BLACK		
P22b	LAR58008190		DOOR STOPPER KIT N2/S2 MARINE			
P23b	LAR58008200		KIT FERMO SUP.GUIDA SCORREV.PORTA N2/S2			
P24b	LAR58000640		DOOR STOPPER PIN N/S MARINE			
P25b	LA69181200		CLOSING			
P26b	LAR71210020		GLASS LED N2/S2 06x	5.0	10/23/2023	
P27b	LA66115980		LIGHT WIRING N/S 06xB	5.0	10/23/2023	
P27b	LA66117930		LIGHT WIRING SLS N5 06x/10xB	5.0+SMART LIGHTING SYSTEM	10/23/2023	
P27b	LAR65270620		LAMP LED N5 SLS	5.0+SMART LIGHTING SYSTEM	10/23/2023	
P27b	LAR65270640		LAMP LED N5	5.0	10/23/2023	

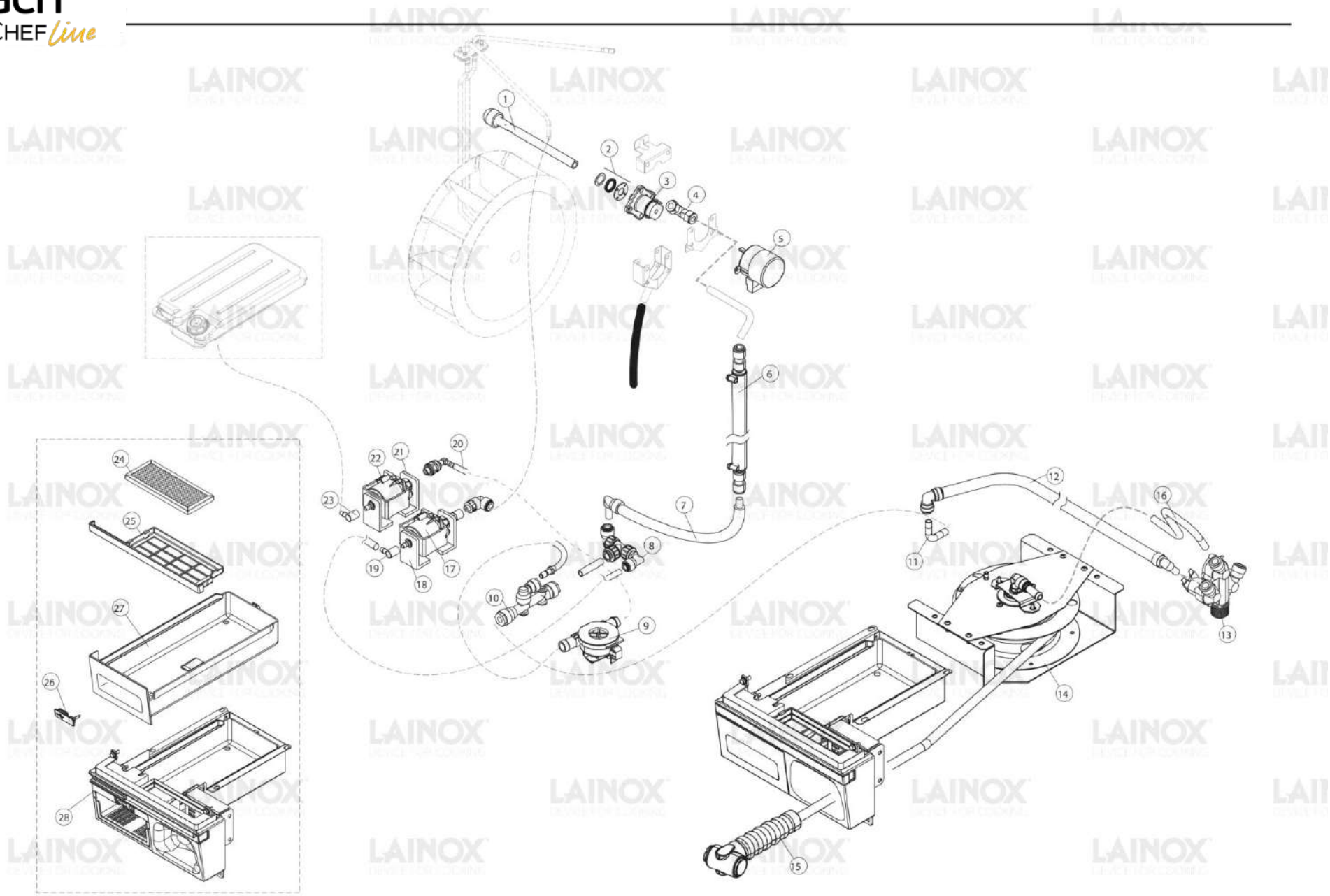


Warning! The exploded views refer to the general model

## Control panel

Pos.	Code	Previous code	Description	Notes	From:	Up to:
00C1	LAR21110860LX		ASS.CRUSCOTTO N5 061 LAINOX NERO 9005	Black		
00C1	LAR21110890LX		ASS.CRUSCOTTO N5 061/062 LAINOX		10/23/2023	
00C1	LAR21113300FS		ASS.CRUSCOTTO N5 061/062 FRANSTAL		10/23/2023	
00C1	LAR21200380FS		FRONT PANEL [C] NABOO B. 061/062 FRANSTAL			10/20/2023
00C1	LAR21200380LX		CONTROL PANEL LAINOX 061/062			10/20/2023
00C2	LAR80100101		PROFILE 5M			
00C3	LA65330090		LOUDSPEAKER 4 OHM		10/23/2023	
00C3	LAR65330090B		LOUDSPEAKER			10/20/2023
00C4	LA70700030		DISPLAY SEAL NABOO 2023			
00C5	LAR65302493		BOARD [C] DISPLAY NABOO BOOSTED			10/20/2023
00C5	LAR65302593		BOARD [C] DISPLAY NABOO BOOSTED+ETH			10/20/2023
00C5	LAR65303960		BOARD DISPLAY 10 NABOO 5.0		10/23/2023	
00C5	LAR65303970		BOARD DISPLAY 10 NABOO 5.0 +ETH		10/23/2023	
00C6	LA65302600		CABLE [C] BOARD/USB OUTLET L. 850			
00C7	LAR58007600		CORE PROBE PASS-THROUGH N2/S2			
00C8	LA65321501		CORE PROBE W. CONNECTOR K4P	(Conn.Ext.)		
00C8	LAR65321490		KIT CORE PROBE 4P. 6PIN. IMP.2020			
00C8	LAR69040200		KIT CLIP FERMACAVO N2/S2			
00C9	LAR14445350		DISPLAY SAFETY GUARD			
00E1	LA65303911		SCHEDA ESPANSIONE FD-FLX BUS LNX 3CH@		10/23/2023	
00E1	LAR65303841		FASTDRY EXP. BOARD N/S BOOSTED			10/20/2023
00E2	LA65187310		POWER SUPPLY 15V 3A ORAC.B	5.0	10/23/2023	
00E3	LA65210020		FUSE HOLDER [C] 5X20			
00E4	LA75300020		GRID [C] FAN			
00E5	LA65060050		FAN [C] D. 120			
00E6	LA65070350		THERMOSTAT [C] 360°C N/S/L			
00E6	LA65070370		SAFETY THERMOSTAT 360°C UL	UL Version		
00E6	LA70700210		SEAL F2			
00E7	LA65070380		SAFETY THERMOSTAT 150°C UL	UL Version		
00E7	LAR65070081		THERMOSTAT [C] BOILER N/S/L			
00E8	LA65280240		FILTER [C] ELECTROMECHANICAL			
00E9	LA65220091		TERMINAL BLOCK [C] 3P+N+G			
00S1	LA65303921		MAIN BOARD NABOO 5.0 2023	5.0	10/23/2023	
00S1	LAR65302640		POWER BOARD [C] COMPACT BY NABOO			10/20/2023
00S2	LA65141053		INVERTER N2/S2			
00S3	LA65303930		BOAD EXP. BOILER NABOO 5.0 2023			

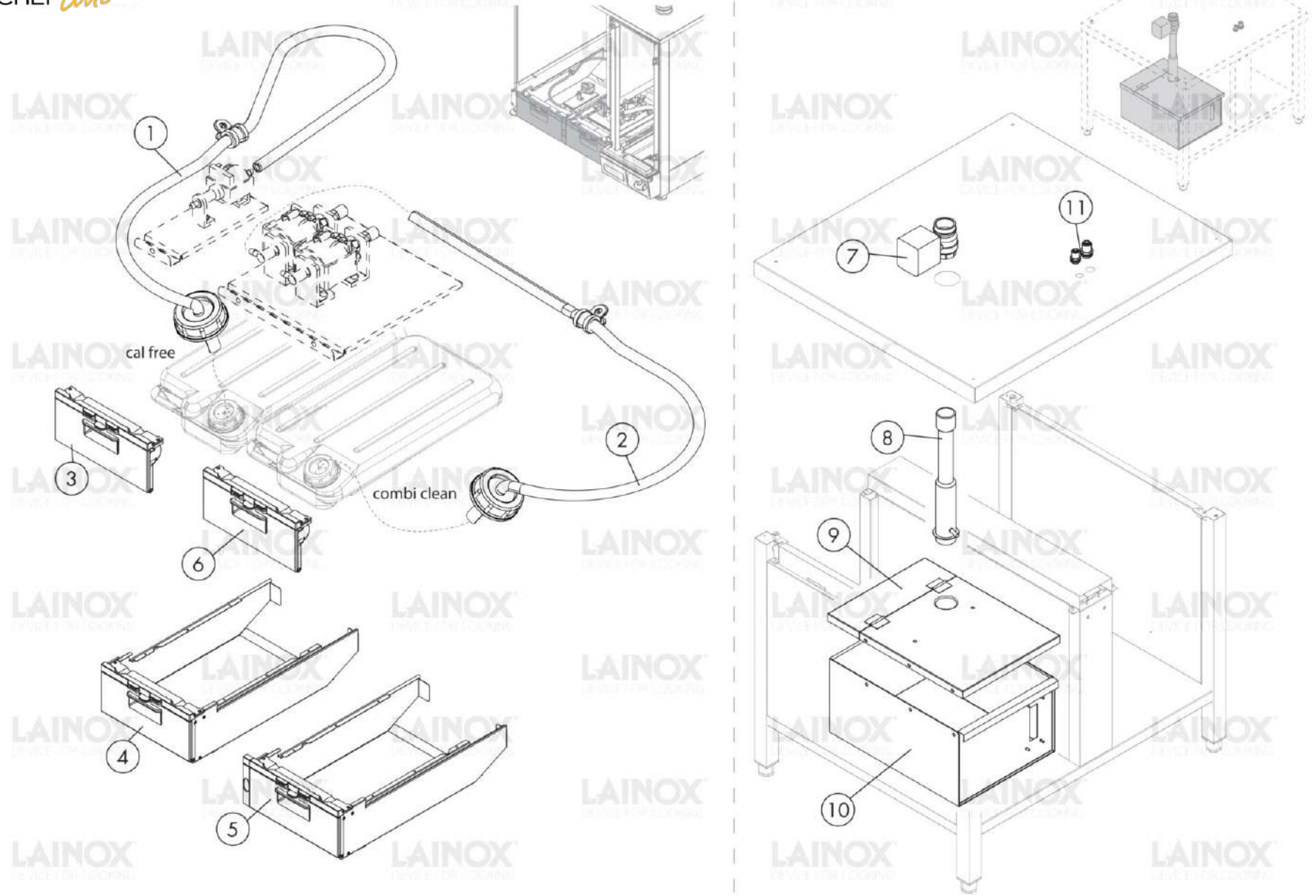
Pos.	Code	Previous code	Description	Notes	From:	Up to:
00S4	LA65301750		CABLE [C] SERIAL RJ45 L. 600			
00S5	LA65303090		BOARD [C] EXP. SSR NABOO B.			
00S6	LA65301740		CABLE [C] SERIAL RJ45 L. 250			
0C10	LA69130670		CAP [C] D.12			
0C11	LAR65303070		PLUG [C] ETHERNET F/F	(Optional)		
0C12	LA65321391		PLUG N/S 2020	(Conn.Ext.)		
0C13	LA65321540		CORE PROBE CONNECTOR	(Conn.Ext.)		
0C14	LA65321391		PLUG N/S 2020	(Conn.Ext.)		
0C15	LA65321540		CORE PROBE CONNECTOR	(Conn.Ext.)		
0C16	LA65260670		PUSH-BUTTON [C] B.			10/20/2023
0E10	LA65140900		CONTACTOR [C] 3RT2016-1AP02			
0E10	LA65140910		CONTACTOR [C]	UL Version		
0E10	LA65210110		FUSE HOLDER BCC3X38	UL Version		
0E11	LA65280270		FILTER [C] FLCP566000 3,3 $\mu$ F 0,22nF 1W 475VAC			
0E12	LAR65170240		KIT 2xSSR HEATEXC. CABLING	WITH BOILER		
0E12	LAR65170250		KIT 1xSSR HEATEXC. CABLING	WITHOUT BOILER		
0E13	LA65210050		FUSE HOLDER [C] 6,3X32			
0E14	LA65140940		CONTACT	UL Version		
0E14	LA65141060		CONTACTOR [C] AUX. 2NO+2NC 3RH2911-1HA22			
0E15	LA65280490		FERRITE [C] TOROIDAL FT36			
0E16	LA65060640		FAN PKC	(BKC011F)		
0E16	LA65060650		VENTIL.CAPPA 250MM RH22V-4IP.ZC.AR 11787	(LCH3)		
0E16	LA65060660		MOTOVENT.ROT.EST.C/COCLEA A304 YMV0010	(BKC011/BKC011S)		
0E16	LA65600321		CASSETTA COMPL.CABL+CONN.CAPPA"N-X"SOVR.	(BKC011S)		
0E16	LA65600341		HOOD X ELECTTRICAL BOX H200	(BKC011F/BKC011)		
0E17	LA75300020		GRID [C] FAN			
0E18	LA65060050		FAN [C] D. 120			
0E19	LA75300020		GRID [C] FAN			
0E20	LA65060050		FAN [C] D. 120			
0E21	LA65187281		POWER SUPPLY 12V NA/SA+NTC			10/20/2023
0E22	LA65180430		TRANSFORMER [C] 40VA 0-220-240/12V			10/20/2023
0E22	LA65187110		TRANSFORMER [C] 40VA 2.5/12/24V	UL Version		5/3/2024
0E23	LAR65187350		AUTOTRANSFORMER 1800VA 400/440/480V			
0E24	LAR65170050		RELAY 240V 8/5 A	NPK/BPK/SN		



Warning! The exploded views refer to the general model

**Washing**

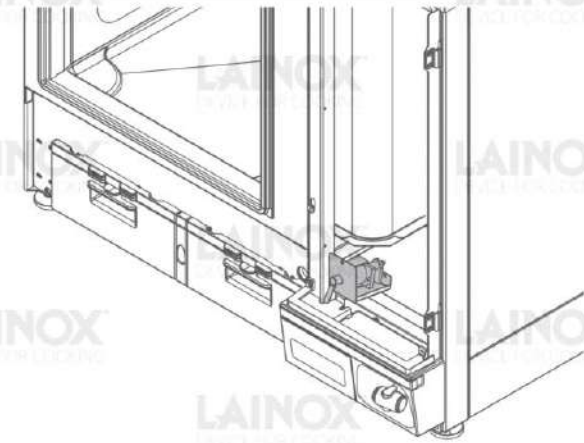
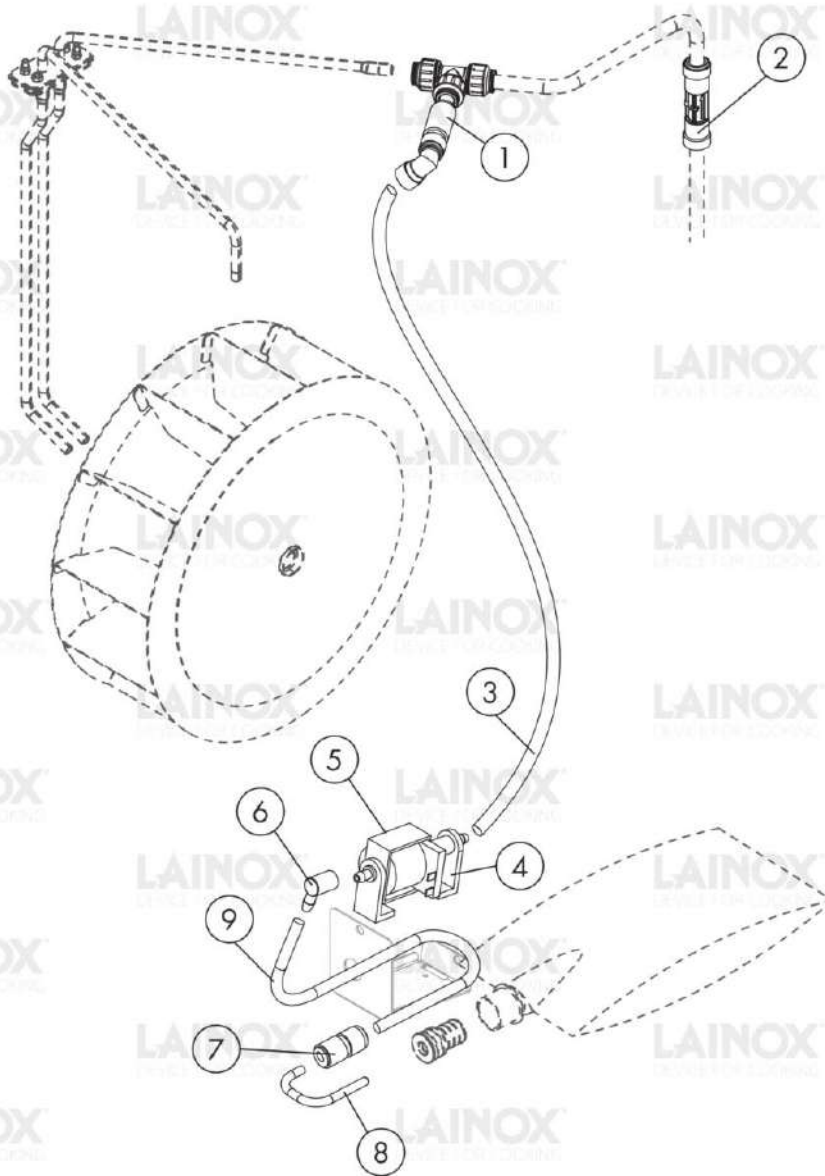
Pos.	Code	Previous code	Description	Notes	From:	Up to:
0001	LAR58007080		WASHING HEAD [C] L=160 (1/1)			
0002	LAR70045120		GASKET [C] MOB WASHING			
0003	LAR58007020		FLANGE [C] MOB WASHING			
0004	LA62090663		CONNECTION [C] 90° D.10-1/4			
0005	LAR65090260		GEARED MOTOR WASHING			
0006	LA21100300		ASS.PIPE [C] WASHING CONT. B. 061			7/1/2022
0006	LA21108340		TUBE BLUE D13x23 L500		7/4/2022	
0007	LA21107580		TUBE 8x12 L450		7/4/2022	
0007	LA80120070		PIPE [C] SYLICON 15/10 MOCA			7/1/2022
0008	LA62090468		CONNECTION [C] T F/F/F JG D.10			
0008	LAR21115050		WASHING PIPE N2/S2			
0009	LAR21115070		FLOW METER N2/S2	SLCV/SLCS		
0010	LA62090888		CONNECTION [C] JG 3WAY WASHING			
0012	LA21107550		TUBE 8x12 L450			
0013	LAR65110360		SOLENOID VALVE [C] 3 WAYS 230V 50/60HZ OUT JG F D10			
0013	LAR65110790		SOLENOID VALVE [C] 230V 50/60HZ	UL Version		
0014	LA62200180		ROLLGUIDE [C] B.			
0015	LA62200220		HANDLE[C] SHOWER			
0016	LA21107540		TUBE 8x12 L190			
0017	LAR65110600		PUMP [C] PULSE BIG 230V 50HZ			
0017	LAR65110930		PUMP COMBICLEAN 60HZ UL	60Hz / UL Version		
0018	LA65110610		HOLDER [C] PUMP			
0019	LA62090980		CONNECTION [C] POMPA 90°			
0019	LAR21115050		WASHING PIPE N2/S2			
0020	LAR21115060		WASHING PIPE N2/S2			
0021	LA65110610		HOLDER [C] PUMP			
0022	LAR65110600		PUMP [C] PULSE BIG 230V 50HZ			
0022	LAR65110930		PUMP COMBICLEAN 60HZ UL	60Hz / UL Version		
0023	LA62090980		CONNECTION [C] POMPA 90°			
0024	LA21400160		FILTER [C] AIR B.			
0025	LA69180681		HOUSING [C] AIR FILTER B.			
0026	LA70050240		CAP [C] USB SOCKET SYLICON B.			
0027	LAR69180700		DRAWER SMOKEGRILL NA/SA			
0028	LA21100100		PRE-A. UNDERDASHBOARD B.			
0028	LA21106880		CONNECTIONS FRAME N2/S2 ETL	UL Version		



Warning! The exploded views refer to the general model

**Tanks**

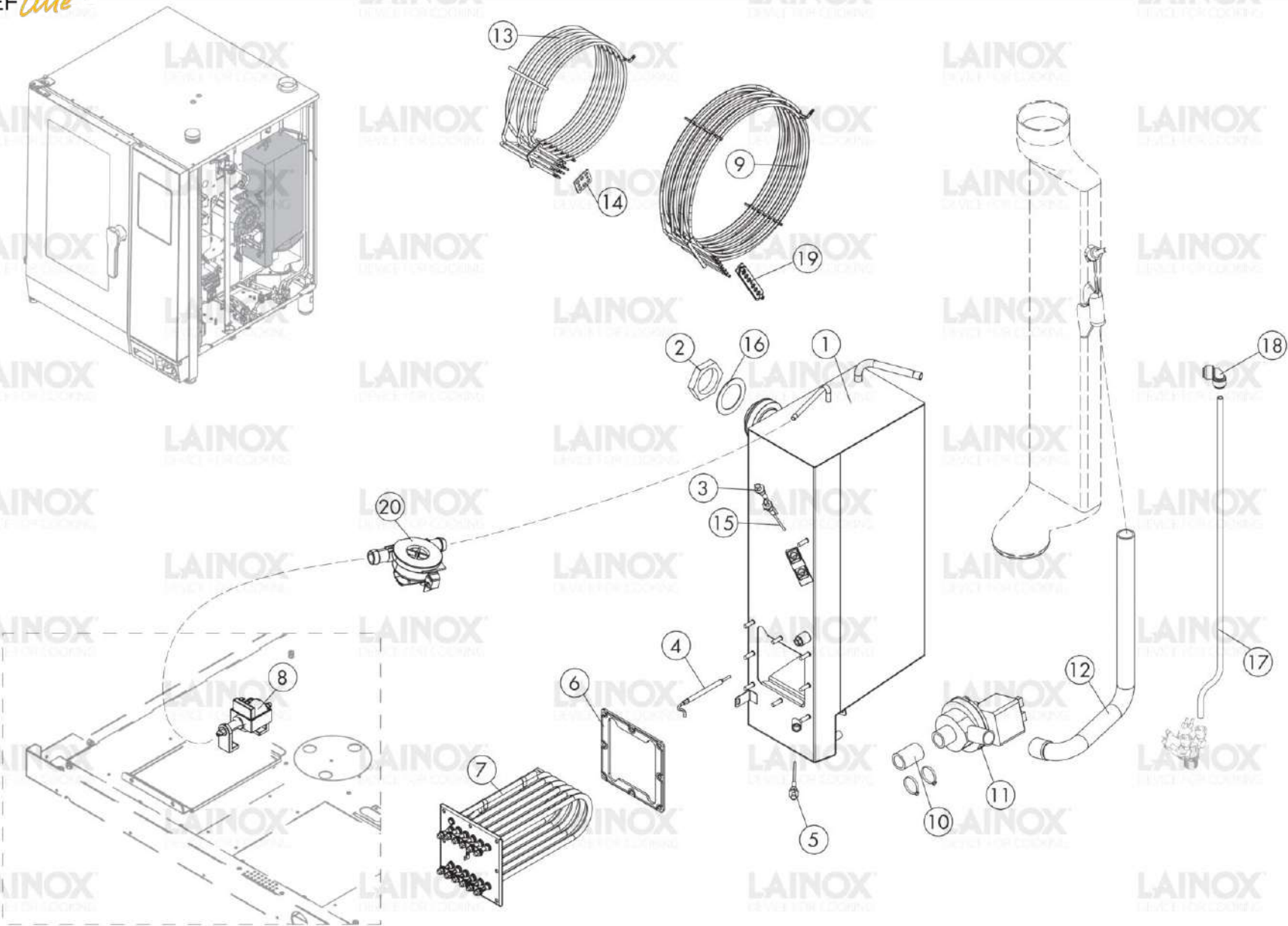
Pos.	Code	Previous code	Description	Notes	From:	Up to:
0001	LA14171500		CAP [C] GREEN CALOUT CF010	KPG011		
0001	LA21100011		CAP [C] GREEN CALOUT CF05 B.			
0001	LA65110910		ANTI-RETURN ASS.			
0002	LA14171490		CAP [C] YELLOW DETERGENT DL010	KPG011		
0002	LA21100001		CAP [C] YELLOW DETERGENT DL05 B.			
0002	LA65110910		ANTI-RETURN ASS.			
0003	LAR69180870		TANK DOOR N2/S2			
0004	LA21101520		PRE-A. TANK HOLDER B.			
0004	LA21102700		TANK SUPPORT N2/S2 CALFREE BGRT	KPG011		
0004	LA21106840		TANK SUPPORT N2/S2 1/1 C.FREE ETL	UL Version		
0005	LA21101510		PRE-A. TANK HOLDER W. PROBE B.			
0005	LA21102690		TANK SUPPORT N2/S2 COMBICLEAN BGRT	KPG011		
0005	LA21106790		TANK SUPPORT N2/S2 1/1 C.CLEAN ETL	UL Version		
0006	LAR69180870		TANK DOOR N2/S2			
0007	LA65110900		VALV.SFERA MOT.11/4 S3041N07+R3505P00	KPG011		
0008	LAR21115700		CHICKENGRILL DRAIN HOSE N2/S2	KPG011		
0009	LAR21203620		GREASE TANK COVER N2/S2	KPG011		
0010	LAR11201130		TANK [C] FATS K_081-101	KPG011		
0011	LA62090688		CONNECTION [C] RING NUT D. 8	KPG011		
0011	LA62090828		CONNECTION [C] RING NUT D. 6	KPG011		



Warning! The exploded views refer to the general model

**Smokegrill**

Pos.	Code	Previous code	Description	Notes	From:	Up to:
0001	LAR21102030		CONNECTOR N2/S2 SMOKEGRILL	NSGB		
0002	LA62091088		NON-RETURN VALVE JG10			
0003	LA80150100		PIPE [C] PVC 8MMX5 TT/CRISTALLO/TR TRASP.			
0004	LA65110630		HOLDER [C] PUMP			
0005	LAR65110620		PUMP [C] PULSE SMALL 230V 50HZ			
0006	LA62090980		CONNECTION [C] POMPA 90°			
0007	LA62091058		CONNECTION [C] JG STRAIGHT F/F D.8-6			
0008	LA21400400		PIPE [C] SUCTION SMOKEGRILL			
0009	LA80150100		PIPE [C] PVC 8MMX5 TT/CRISTALLO/TR TRASP.			



Warning! The exploded views refer to the general model

**Heating**

Pos.	Code	Previous code	Description	Notes	From:	Up to:
0001	LAR21200830N		BOILER [C] B. E061/062/101			
0002	LA58004030		NUT [C] 1 1/4X10 M/110-210-220			
0003	LA65320040		LEVEL PROBE [C] L=220MM			
0003	LAR65320050		ISOLATOR (6x)			
0004	LAR65320220		PROBE K L1,5M			
0005	LA65324860		LEVEL PROBE [C] L=40MM			
0005	LAR65320050		ISOLATOR (6x)			
0006	LA70045020		GASKET [C] BOILER HEATING ELEMENTS B.			
0007	LAR65020450		HEATING ELEMENT [C] BOILER 9000W230V			
0007	LAR65020470		BOILER HEATING EL. N2/S2 9KW 208V	UL Version 208V (USA-CAN)		
0007	LAR65020490		BOILER HEATING EL. N2/S2 9KW 254V	Marine Version 254V		
0007	LAR65020510		BOILER HEATING EL. N2/S2 9KW 277V	UL Version 277V (USA-CAN 3AC 480V)		
0008	LAR65110620		PUMP [C] PULSE SMALL 230V 50HZ			
0011	LAR65110950		PUMP [C] SYNCR. 220V50/60HZ	50/60Hz		
0012	LA69180620		PIPE [C] BOILER DRAIN B. E061/062/101			
0013	LAR65012292		HEATING ELEMENT [C] CHAMBER 11000W230V			
0013	LAR65012322		CABINET HEATING EL. N2/S2 11KW 208V	UL Version 208V (USA-CAN)		
0013	LAR65012362		CABINET HEATING EL. N2/S2 11KW 254V	Marine Version 254V		
0013	LAR65012402		CABINET HEATING EL. N2/S2 11KW 277V	UL Version 277V (USA-CAN 3AC 480V)		
0013	LAR65012462		CABINET HEATING EL. N2/S2 11KW 240V	UL Version 240V (USA-CAN)		
0014	LA21400850		FLANGE 56x50x3			
0014	LA70030250		GASKET [C] GRAPHITE HEATING ELEMENTS 56x50x3			
0015	LA65320040		LEVEL PROBE [C] L=220MM			
0015	LAR65320050		ISOLATOR (6x)			
0016	LA70700140		GUARN.GRAF.ARM.ØE60 ØI43			
0017	LA21107450		TUBE 5x10 L630			
0018	LA62090918		CONNECTION [C] 90° F/F D.10			
0020	LAR21115070		FLOW METER N2/S2	SLCS		