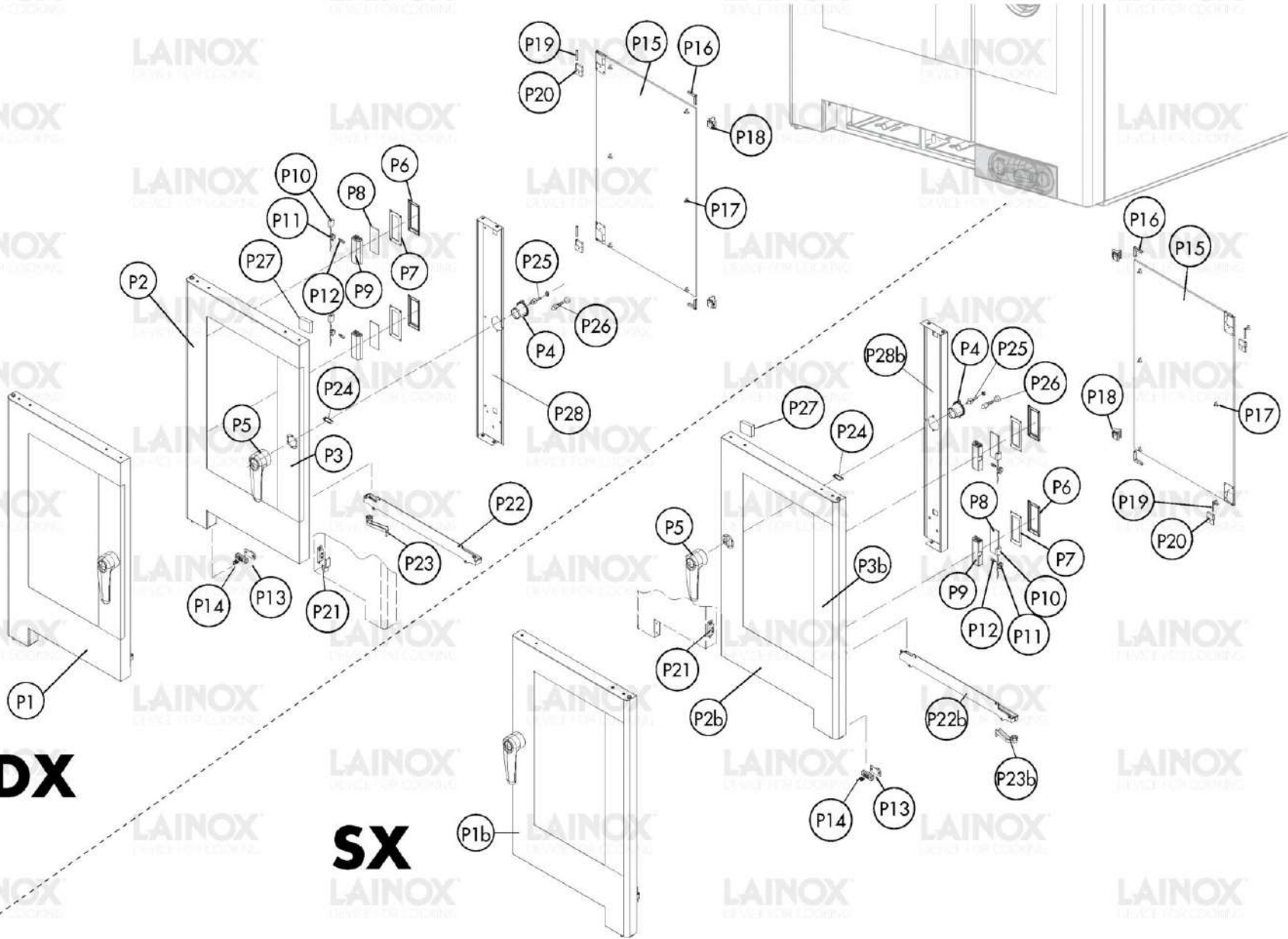


Warning! The exploded views refer to the general model

**TAV. A**

Pos.	Code	Previous code	Description	Notes	From:	To:
0001	LAR65040600		MOTOR [C] 220/240V 0,25KW ONE SPEED			
0001	LAR65041300		MOTOR [C] 230V 50/60HZ 0,25KW ONE SPEED	UL Version (USA-CAN)		
0002	LA58003870	LAR58003870	COUNTER FLANGE [C]			
0003	LA70020040	LAR70020040	GASKET [C]			
0004	LA58003860	LAR58003860	FLANGE [C] GASKET			
0005	LA75400570	LAR75400570	FAN [C] D.240X80/6 P.D. 50HZ . K_081 T07			
0006	LA61400052		WASHER [C] D. 10,5X21X2 - MINIMUM 10 PIECES OR MULTIPLE			
0007	LA70030200		GASKET [C] HEATING ELEMENTS			
0008	LAR65011930		HEATING ELEMENT [C] 10000W 230V			
0008	LAR65011940		HEATING ELEMENT [C] 10000W 208V	UL Version 208V (USA-CAN)		
0008	LAR65011970		HEATING ELEMENT [C] 10000W 277V D.8,5	UL Version 277V (USA-CAN 3AC 480V)		
0009	LA70010370	LAR70010370	GASKET [C]			
0010	LAR58006690		CAP [C] SERIE 2014			
0011	LAR11200650		EXTENSION [C] VAPORISEUR M/061			
0012	LA14219610		PIPE [C] CONNECTOR HUMIDIFIER N/S_071 2017			
0013	LA62090908	LAR62090908	INTERMEDIATE STRAIGHT CONNECTOR [C] D. 10 SPEEDFIT			
0014	LA80150060	LAR80150060	PIPE [C] PEX-B D. 10MM L.100M			
0015	LA62090528	LAR62090528	CURVED CONNECTOR [C] 10X10			
0016	LAR65110230		SOLENOID VALVE [C] 2 OUTLETS 1P+1D J.G. 220V 50HZ			3/2/2015
0016	LAR65110340		SOLENOID VALVE [C] 230V 50/60HZ 2 OUTLET JG CONNECTION D. 10		3/3/2015	
0016	LAR65110780		SOLENOID VALVE [C] 230V50/60HZ	UL Version (USA-CAN)		
0017	LA62090518	LAR62090518	CONNECTOR [C] END SIDE PIPE 10X1/4			
0018	LAR70010050		GASKET [C] 7,60X2,62			
0019	LA62030113	LAR62030113	COUPLING [C] BRASS REDUCTION			
0020	LAR63070050		WATER PRESSURE SWITCH [C] 500/350 mbar -1/8			
0021	LAR65095000		RELEASE MOTOR [C] COMPLETE - 1 CAM			
0022	LAR14170570		PIPE [C] MOTORIZED VENT N/S071 T07			
0023	LAR70030180		GRAPHITE GASKETS KIT [C] 80x50,3x3 SET 5 PIECES			
0024	LAR65320220		PROBE [C] K L. 1,5M			
0025	LA62070023	LAR62070023	BICONE [C] D. 6			

Pos.	Code	Previous code	Description	Notes	From:	To:
0026	LA62060223	LAR62060223	NUT [C] D. 6			
0027	LAR14218430		DEFLECTOR [C] AREN/S064 2014			
0028	LA75300050	LAR75300050	PLATE [C] FAN D. 270 N/S071 2014			
0029	LAR58003110		PIN [C] DEFLECTOR CLAMPING			
0030	LA14402130	LAR14402130	HINGE [C]			
0031	LA58000370	LAR58000370	PIN [C] UPPER HINGE			
0032	LA58004050	LAR58004050	NUT [C]			
0033	LA11207240	LAR11207240	LOWER HINGE KIT [C] M-V/061-101-102 2005			
0034	LA58002670	LAR58002670	LOWER PIN [C] HINGE SR 2005			
0035	LA58000360	LAR58000360	NUT [C]			
0036	LA70048003	LA70048002	GASKET [C] DOOR T07			
0037	LAR69180210		DRAIN CONTAINER [C] N/S071-101 2014			
0038	LA69180250	LAR69180250	FILTER [C] CONTAINER DRAIN			
0039	LA14428790	LAR14428790	RACK [C] T07 2011			
0040	LAR10201710		AIR FILTER [C] DRAIN M/210-12 D.86/44,5			
0041	LAR70030180		GRAPHITE GASKETS KIT [C] 80x50,3x3 SET 5 PIECES			
0042	LA70060040	LAR70060040	SILICONE COUPLING [C] D. INNER 51 D. EXTERIOR 59			
0043	LA70060080		SILICONE COUPLING [C] D. 13X18X80			
0044	LAR69180120		BOX [C] DRAIN PIPE G/MV T06-T10-T21			
0045	LA58006160		NOZZLE [C] D. 0,80			
0046	LA62090633	LAR62090633	CURVED CONNECTOR [C] 10/10			
0047	LA70050150	LAR70050150	GASKET [C] BOILER CAP			
0048	LA69150100	LAR69150100	CAP [C]			
0049	LA61630031	LAR61630031	ZINC CLAMP [C]			
0050	LA62280038	LAR62280038	CURVE [C]			
0051	LAR65240030		FAIRLEAD [C]			



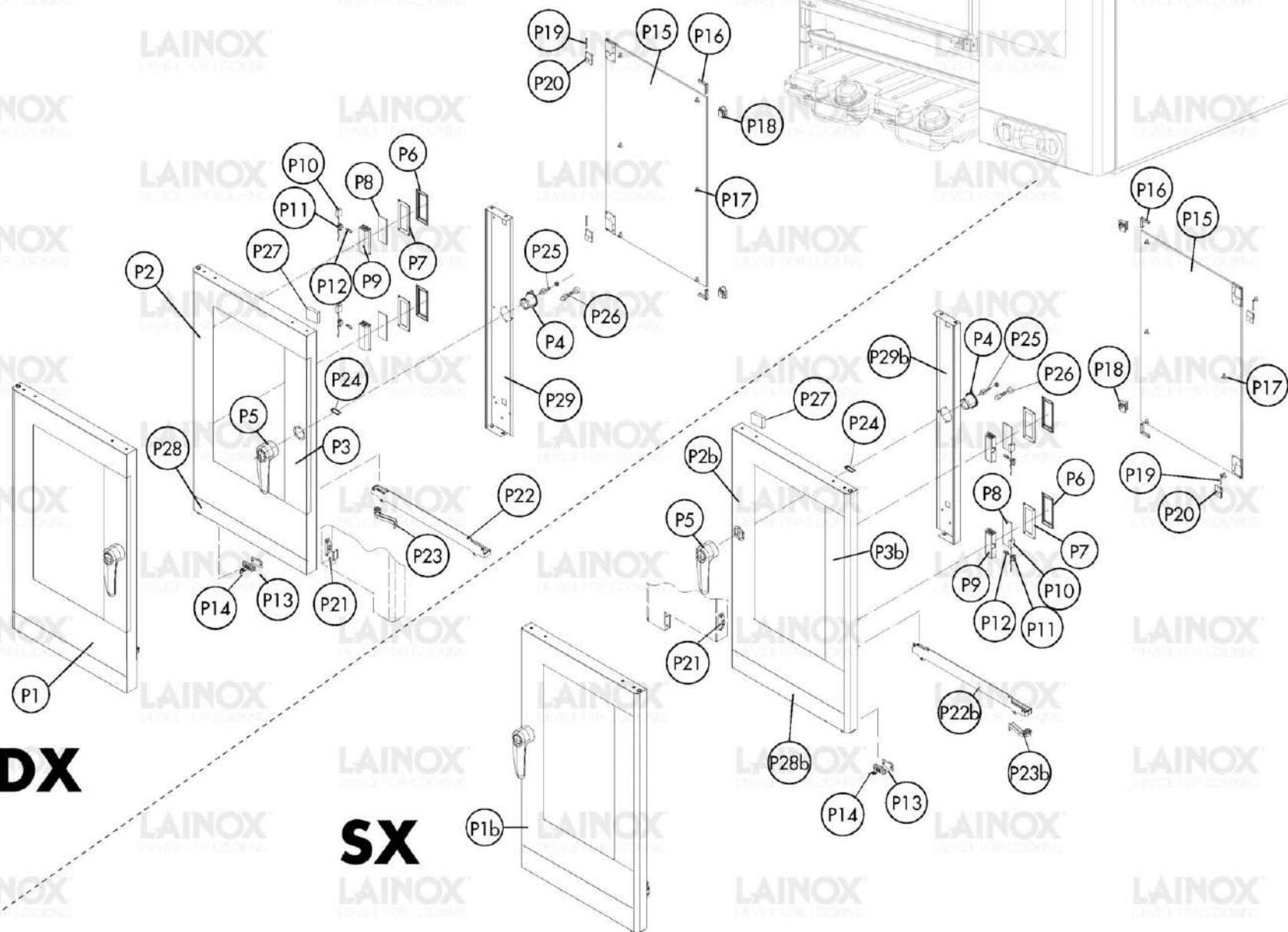
**DX**

**SX**

Warning! The exploded views refer to the general model

**TAV. B - SCS**

Pos.	Code	Previous code	Description	Notes	From:	To:
00P1	LAR14162600		DOOR [C] NA_071			
00P2	LAR14200760		EXTERIOR DOOR [C] NA_071			
00P3	LA67017051		DOOR COVER W/HANDLE AR_N064R			
00P4	LAR69010630		COVERING [C] GROUP 6303 CLOSING			
00P5	LA69010190	LAR69010190	LOCK [C] 6303 N/S2014			
00P6	LA11401450		FLANGE [C] BULB GLASS			
00P7	LA70044200		GASKET [C] BULB GLASS P2000			
00P8	LA71500150		GLASS PLATE [C]			
00P9	LA11401440		LAMP COVER [C]			
0P10	LA66110310		DOOR LIGHTS CABLE SET [C] M-V/061			
0P11	LA65270450		LAMP HOLDER [C]			
0P12	LA65270020		BULB [C] 12V 20W G4			
0P13	LAR65260752		LIGHT CONTACT [C] SR.2014 - FLOOR OVEN			
0P14	LA61600031	LAR61600031	GASKET [C] D. 3,2			
0P15	LAR71202210		GLASS PLATE [C]			
0P15	LAR71202210A		GLASS PANEL [C] REAR 494*590*6 REVERSAL DOOR	PER PORTA INCERNIERATA A DX-FOR RIGHT HINGED DOOR		
0P16	LA11423460	LAR11423460	PROTECTION [C] DOOR GLASS K E T 2011			
0P17	LAR70050180		SPACER [C] GLASS PLATE 15X8			
0P18	LAR17406230		GLASS BLOCK [C]		8/13/2018	
0P18	LAR58001780		CATCH [C] DOOR GLASS			8/10/2018
0P19	LA58001770	LAR58001770	PIN [C] GLASS HINGE SR2000			
0P20	LA58001760	LAR58001760	HINGE [C]			
0P21	LAR65265100		MICROSWITCH [C] DOOR			
0P22	LAR69180220		DOOR CONTAINER [C] N/S071-101 2014			
0P23	LA69180011		WATER DRAIN [C] CONTAINER			
0P24	LA61620132	LAR61620132	SPRING [C] PRONG HOOK			
0P25	LA69010260	LAR69010260	PRONG [C]			
0P26	LAR69010270		DOOR LATCH 2 STEP [C]			
0P27	LA11420660	LAR11420660	FLANGE [C]			
0P3b	LA67017071		RIVESTIMENTO PORTA S/MAN. AR_N064R			
P23b	LA11202240	LAR11202240	WATER DRAIN [C] CONTAINER SR2000			



**DX**

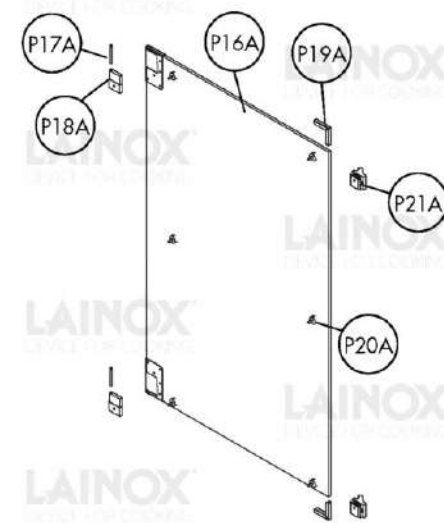
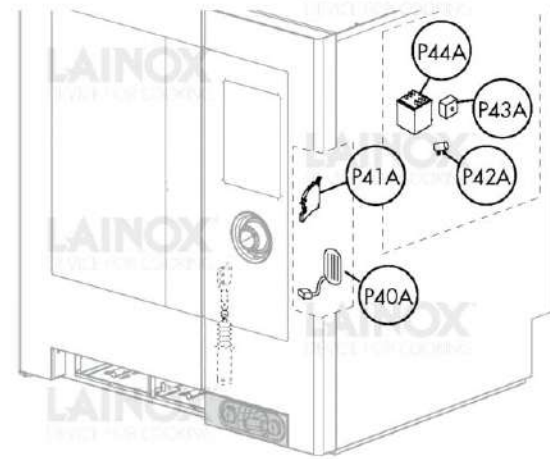
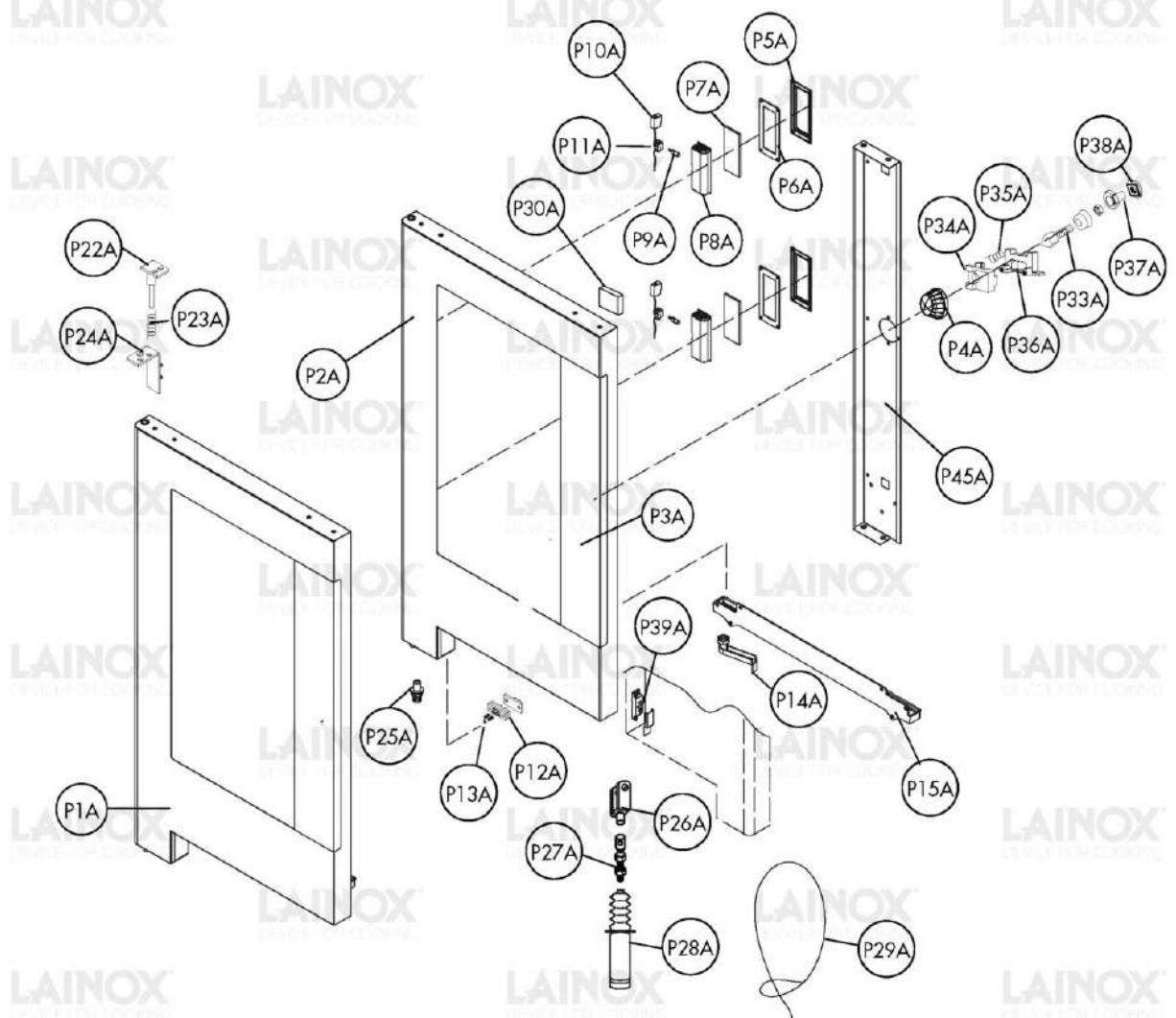
**SX**

Warning! The exploded views refer to the general model

**TAV. B - LCS**

Pos.	Code	Previous code	Description	Notes	From:	To:
00P1	LAR14173640		PORTA COMPLETA AR_N064 C/TANICHE PORTA COMPLETA AR_N064 C/TANICHE	HALOGEN		2/8/2019
00P1	LAR14182650		PORTA COMPLETA AR_N064 C/TANICHE LED PORTA COMPLETA AR_N064 C/ TANICHE LED	LED	2/11/2019	
00P2	LAR14203660B		PORTA ESTERNA AR_N064 C/TANICHE	HALOGEN		2/8/2019
00P2	LAR14203660G		PORTA ESTERNA AR_N064 C/TANICHE LED	LED	2/11/2019	
00P3	LA67017051		DOOR COVER W/HANDLE AR_N064R			
00P4	LAR69010630		COVERING [C] GROUP 6303 CLOSING			
00P5	LA69010190	LAR69010190	LOCK [C] 6303 N/S2014			
00P6	LA11401450		FLANGE [C] BULB GLASS			2/8/2019
00P6	LA65270590		LED LAMP L=130MM 12V DC [C]	REPLACE P6-P7-P8-P9- P11-P12	2/11/2019	
00P7	LA65270590		LED LAMP L=130MM 12V DC [C]	REPLACE P6-P7-P8-P9- P11-P12	2/11/2019	
00P7	LA70044200		GASKET [C] BULB GLASS P2000			2/8/2019
00P8	LA65270590		LED LAMP L=130MM 12V DC [C]	REPLACE P6-P7-P8-P9- P11-P12	2/11/2019	
00P8	LA71500150		GLASS PLATE [C]			2/8/2019
00P9	LA11401440		LAMP COVER [C]			2/8/2019
00P9	LA65270590		LED LAMP L=130MM 12V DC [C]	REPLACE P6-P7-P8-P9- P11-P12	2/11/2019	
0P10	LA66110310		DOOR LIGHTS CABLE SET [C] M-V/061			2/8/2019
0P10	LA66115800		CABLAGGIO LUCI PORTA M-V/061 .		2/11/2019	
0P11	LA65270450		LAMP HOLDER [C]			2/8/2019
0P11	LA65270590		LED LAMP L=130MM 12V DC [C]	REPLACE P6-P7-P8-P9- P11-P12	2/11/2019	
0P12	LA65270020		BULB [C] 12V 20W G4			2/8/2019
0P12	LA65270590		LED LAMP L=130MM 12V DC [C]	REPLACE P6-P7-P8-P9- P11-P12	2/11/2019	
0P13	LAR65260752		LIGHT CONTACT [C] SR.2014 - FLOOR OVEN			
0P14	LA61600031	LAR61600031	GASKET [C] D. 3,2			
0P15	LAR71202210		GLASS PLATE [C]			
0P15	LAR71202210A		GLASS PANEL [C] REAR 494*590*6 REVERSAL DOOR	PER PORTA INCERNIERATA A DX- FOR RIGHT HINGED DOOR		
0P16	LA11423460	LAR11423460	PROTECTION [C] DOOR GLASS K E T 2011			
0P17	LAR70050180		SPACER [C] GLASS PLATE 15X8			
0P18	LAR17406230		GLASS BLOCK [C]		8/13/2018	

Pos.	Code	Previous code	Description	Notes	From:	To:
0P18	LAR58001780		CATCH [C] DOOR GLASS			8/10/2018
0P19	LA58001770	LAR58001770	PIN [C] GLASS HINGE SR2000			
0P1b	LAR14176250		PORTA CONTR.COMPLETA AR_N064 C/ TANICHE PORTA CONTR.COMPLETA AR_N064 C/TANICHE	HALOGEN		2/8/2019
0P1b	LAR14182710		PORTA CONTR.COMPLETA AR_N064 C/ TAN LED PORTA CONTR.COMPLETA AR_N064 C/TAN LED	LED	2/11/2019	
0P20	LA58001760	LAR58001760	HINGE [C]			
0P21	LAR65265100		MICROSWITCH [C] DOOR			
0P22	LAR69180220		DOOR CONTAINER [C] N/S071-101 2014			
0P23	LA69180011		WATER DRAIN [C] CONTAINER			
0P24	LA61620132	LAR61620132	SPRING [C] PRONG HOOK			
0P25	LA69010260	LAR69010260	PRONG [C]			
0P26	LAR69010270		DOOR LATCH 2 STEP [C]			
0P27	LA11420660	LAR11420660	FLANGE [C]			
0P28	LA67017890		DOOR COVER [C] N071/101 W/TANK			
0P29	LAR14408140		MON.DX INT.PORTA N/S071-072 C/ TAN.C/CLIP			
0P2b	LAR14204080A		PORTA ESTERNA CONTRARIA AR_N064 C/TAN	HALOGEN		2/8/2019
0P2b	LAR14204080G		PORTA ESTERNA CONTR.AR_N064 C/TAN LED	LED	2/11/2019	
0P3b	LA67017071		RIVESTIMENTO PORTA S/MAN. AR_N064R			
P22b	LAR14202061		TRAY [C] LH DOOR N/S071-101 2014			
P23b	LA11202240	LAR11202240	WATER DRAIN [C] CONTAINER SR2000			
P28b	LA67017890		DOOR COVER [C] N071/101 W/TANK			

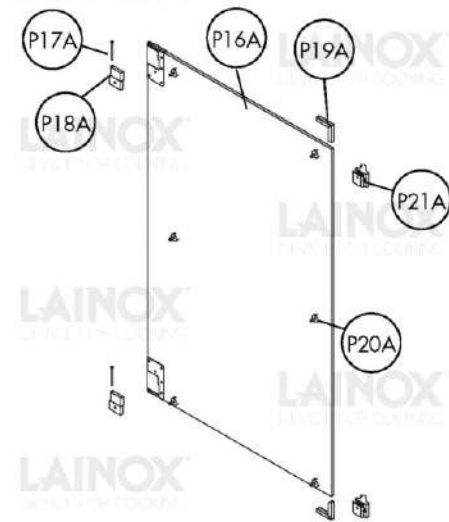
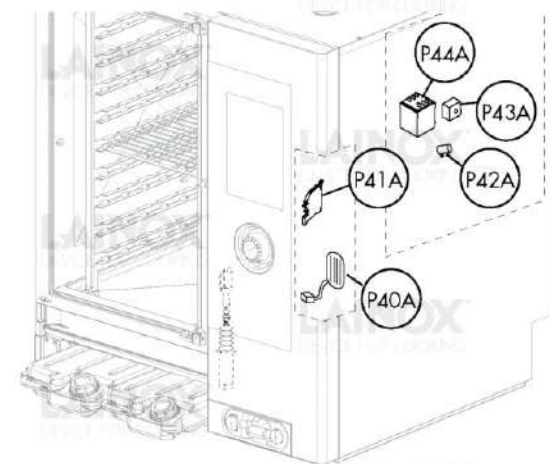
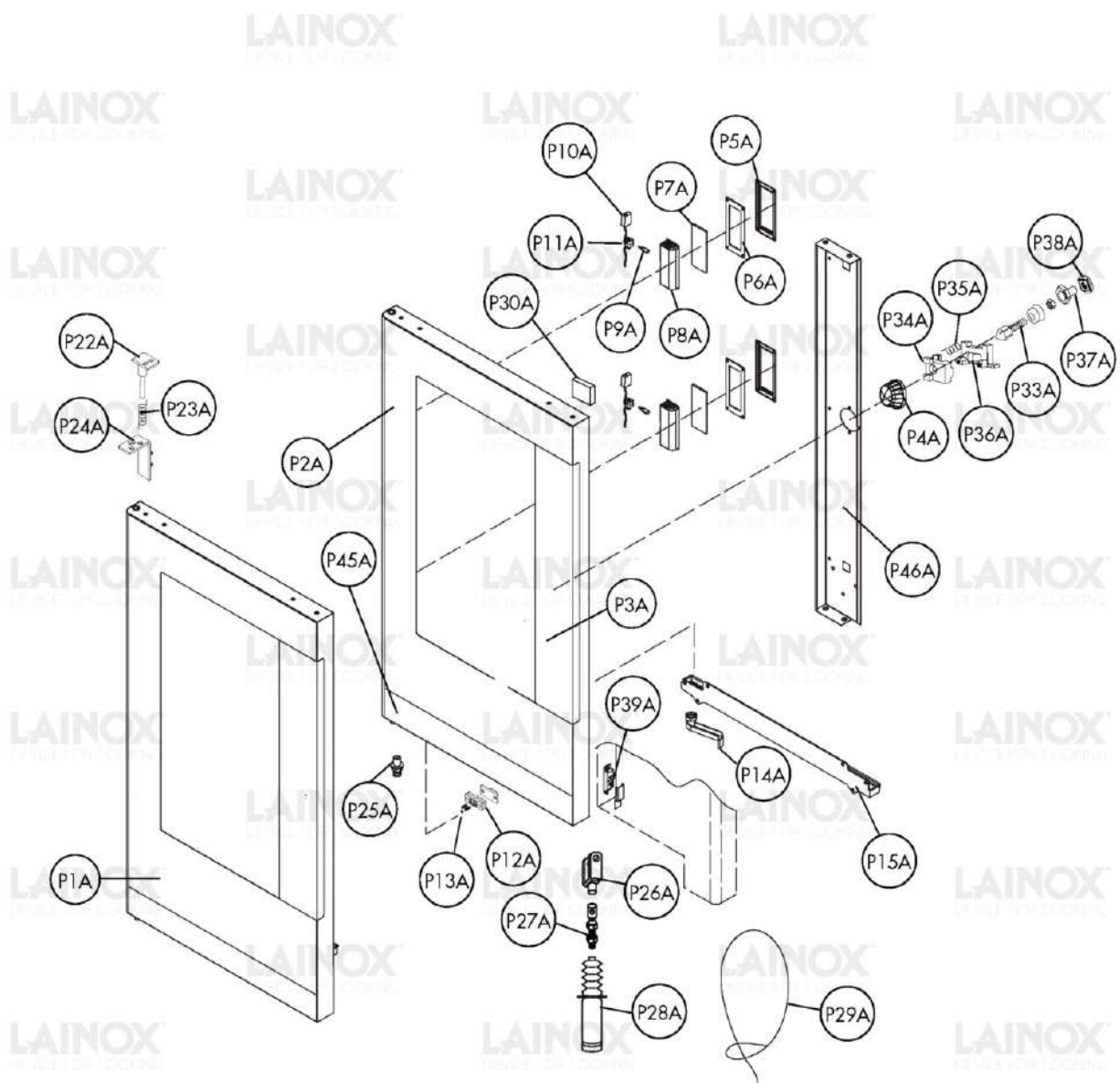


Warning! The exploded views refer to the general model

**TAV. B - NAA - SCS**

Pos.	Code	Previous code	Description	Notes	From:	To:
0P1A	LAR14162610		AUTOMATIC DOOR [C] NA_071			
0P2A	LAR14218100		EXTERIOR AUTOMATIC DOOR [C] NA_071			
0P3A	LA67017071		RIVESTIMENTO PORTA S/MAN. AR_N064R			
0P4A	LA14218140	LAR14218140	COVER [C]			
0P5A	LA11401450		FLANGE [C] BULB GLASS			
0P6A	LA70044200		GASKET [C] BULB GLASS P2000			
0P7A	LA71500150		GLASS PLATE [C]			
0P8A	LA11401440		LAMP COVER [C]			
0P9A	LA65270020		BULB [C] 12V 20W G4			
P10A	LA66110310		DOOR LIGHTS CABLE SET [C] M-V/061			
P11A	LA65270450		LAMP HOLDER [C]			
P12A	LAR65260752		LIGHT CONTACT [C] SR.2014 - FLOOR OVEN			
P13A	LA61600031	LAR61600031	GASKET [C] D. 3,2			
P14A	LA69180011		WATER DRAIN [C] CONTAINER			
P15A	LAR69180220		DOOR CONTAINER [C] N/S071-101 2014			
P16A	LAR71202210		GLASS PLATE [C]			
P17A	LA58001770	LAR58001770	PIN [C] GLASS HINGE SR2000			
P18A	LA58001760	LAR58001760	HINGE [C]			
P19A	LA11423460	LAR11423460	PROTECTION [C] DOOR GLASS K E T 2011			
P20A	LAR70050180		SPACER [C] GLASS PLATE 15X8			
P21A	LAR17406230		GLASS BLOCK [C]		8/13/2018	
P21A	LAR58001780		CATCH [C] DOOR GLASS			8/10/2018
P22A	LA14218130		PIN [C]			
P23A	BN1412083		RIGHT SPRING BLIND DOORS CABINETS			
P24A	LA14402400		UPPER HINGE [C] FOR DOOR N/S 2014			
P25A	LA58007180	LAR58007180	LOWER PIN [C] HINGE			
P26A	LA61660110	LAR61660110	FORK [C]			
P27A	LA61660120	LAR61660120	AXIAL CONNECTOR [C] SM6			
P28A	LA65090310	LAR65090310	ACTUATOR [C]			
P29A	LAR85340022C		STEEL CABLE [C] FOR AUTOMATIC DOOR NA_071-72			
P30A	LA11420660	LAR11420660	FLANGE [C]			
P33A	LAR69010850		PRONG [C] L. 28,5			6/8/2014
P33A	LAR69010860		PRONG [C] L. 28,5		6/9/2014	
P34A	LA58007220	LAR58007220	CATCH [C] SPRING			

Pos.	Code	Previous code	Description	Notes	From:	To:
P35A	LA61620132	LAR61620132	SPRING [C] PRONG HOOK			6/8/2014
P35A	LA61620152	LAR61620152	SPRING [C] PRONG HOOK		6/9/2014	
P36A	LA58007170	LAR58007170	SUPPORT [C] SPRING TRIP WITH LEVER			
P37A	LA58007200	LAR58007200	BUSH [C] EXTERNAL AUTOM. RELEASE			
P39A	LAR65265100		MICROSWITCH [C] DOOR			
P40A	LA67016871		BUTTON [C] AUTOMATIC DOOR N RELOADED			
P41A	LA65210020	LAR65210020	FUSE CARRIER [C] 5X20			
P42A	LA61660130	LAR61660130	TERMINAL [C]			
P43A	LA65301760	LAR65301760	DIODE BRIDGE [C]			
P44A	LA65170100	LAR65170100	RELAY [C]			

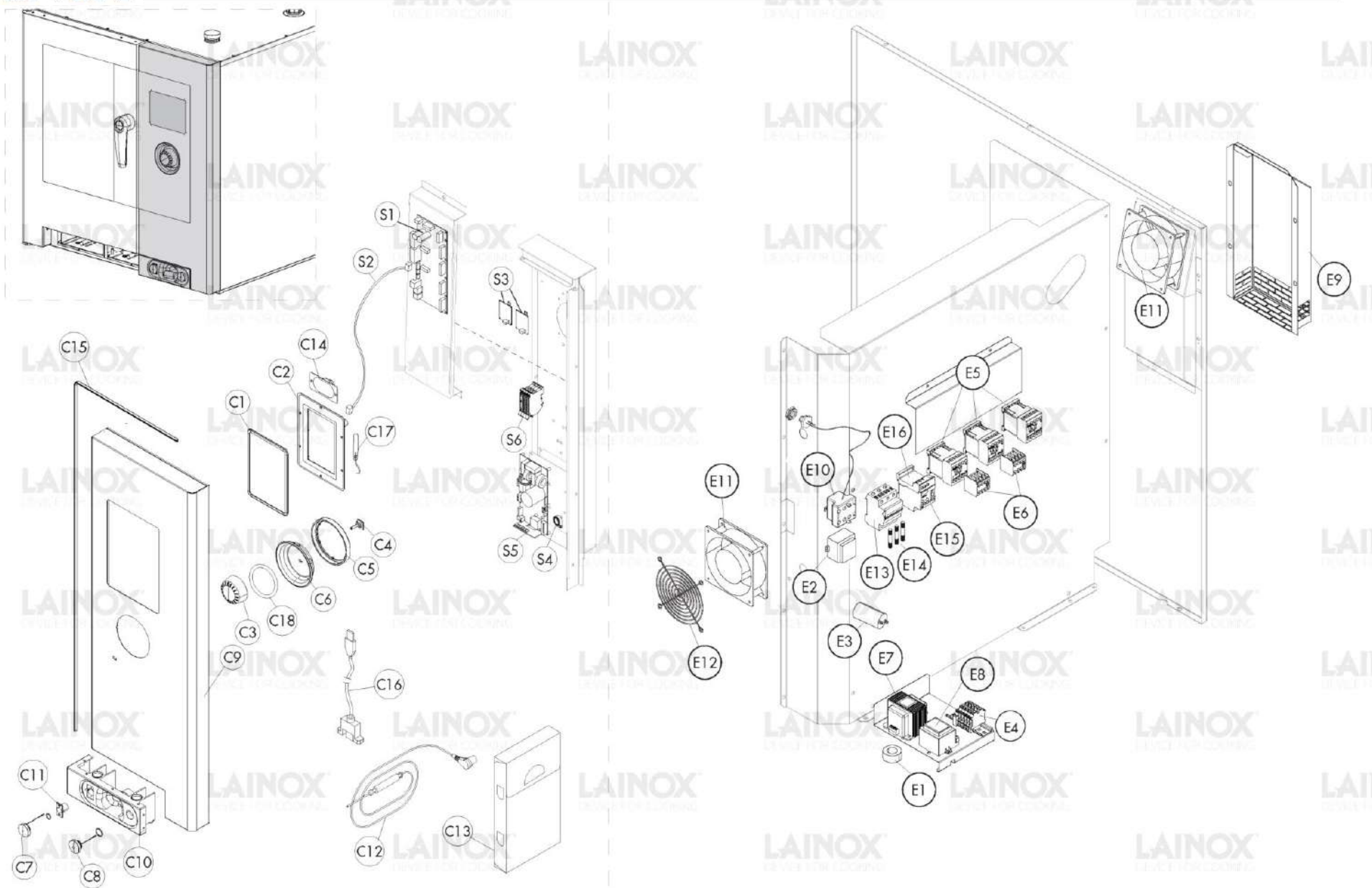


Warning! The exploded views refer to the general model

**TAV. B - NAA - LCS**

Pos.	Code	Previous code	Description	Notes	From:	To:
OP1A	LAR14172740		PORTA AUTOMATICA COMPLETA AR_N064 C/TAN PORTA AUTOMATICA COMPLETA AR_N064 C/TAN	HALOGEN		2/8/2019
OP1A	LAR14183750		PORTA AUTOMAT.COMPLETA AR_N064 C/TAN LED PORTA AUTOMAT.COMPLETA AR_N064 C/TAN LED	LED	2/11/2019	
OP2A	LAR14203860A		PORTA ESTERNA AR_N064 C/TANICHE AP.AUTOM	HALOGEN		2/8/2019
OP2A	LAR14203860G		PORTA ESTERNA AR_N064 C/TAN LED AP.AUT.	LED	2/11/2019	
OP3A	LA67017071		RIVESTIMENTO PORTA S/MAN. AR_N064R			
OP4A	LA14218140	LAR14218140	COVER [C]			
OP5A	LA11401450		FLANGE [C] BULB GLASS			2/8/2019
OP5A	LA65270590		LED LAMP L=130MM 12V DC [C]	REPLACE P5A-P6A-P7A-P8A-P9A-P11A	2/11/2019	
OP6A	LA65270590		LED LAMP L=130MM 12V DC [C]	REPLACE P5A-P6A-P7A-P8A-P9A-P11A	2/11/2019	
OP6A	LA70044200		GASKET [C] BULB GLASS P2000			2/8/2019
OP7A	LA65270590		LED LAMP L=130MM 12V DC [C]	REPLACE P5A-P6A-P7A-P8A-P9A-P11A	2/11/2019	
OP7A	LA71500150		GLASS PLATE [C]			2/8/2019
OP8A	LA11401440		LAMP COVER [C]			2/8/2019
OP8A	LA65270590		LED LAMP L=130MM 12V DC [C]	REPLACE P5A-P6A-P7A-P8A-P9A-P11A	2/11/2019	
OP9A	LA65270020		BULB [C] 12V 20W G4			2/8/2019
OP9A	LA65270590		LED LAMP L=130MM 12V DC [C]	REPLACE P5A-P6A-P7A-P8A-P9A-P11A	2/11/2019	
P10A	LA66110310		DOOR LIGHTS CABLE SET [C] M-V/061			2/8/2019
P10A	LA66115800		CABLAGGIO LUCI PORTA M-V/061 .		2/11/2019	
P11A	LA65270450		LAMP HOLDER [C]			2/8/2019
P11A	LA65270590		LED LAMP L=130MM 12V DC [C]	REPLACE P5A-P6A-P7A-P8A-P9A-P11A	2/11/2019	
P12A	LAR65260752		LIGHT CONTACT [C] SR.2014 - FLOOR OVEN			
P13A	LA61600031	LAR61600031	GASKET [C] D. 3,2			
P14A	LA69180011		WATER DRAIN [C] CONTAINER			
P15A	LAR69180220		DOOR CONTAINER [C] N/S071-101 2014			
P16A	LAR71202210		GLASS PLATE [C]			
P17A	LA58001770	LAR58001770	PIN [C] GLASS HINGE SR2000			
P18A	LA58001760	LAR58001760	HINGE [C]			
P19A	LA11423460	LAR11423460	PROTECTION [C] DOOR GLASS K E T 2011			

Pos.	Code	Previous code	Description	Notes	From:	To:
P20A	LAR70050180		SPACER [C] GLASS PLATE 15X8			
P21A	LAR17406230		GLASS BLOCK [C]		8/13/2018	
P21A	LAR58001780		CATCH [C] DOOR GLASS			8/10/2018
P22A	LA14218130		PIN [C]			
P23A	BN1412083		RIGHT SPRING BLIND DOORS CABINETS			
P24A	LA14402400		UPPER HINGE [C] FOR DOOR N/S 2014			
P25A	LA58007180	LAR58007180	LOWER PIN [C] HINGE			
P26A	LA61660110	LAR61660110	FORK [C]			
P27A	LA61660120	LAR61660120	AXIAL CONNECTOR [C] SM6			
P28A	LA65090310	LAR65090310	ACTUATOR [C]			
P29A	LAR85340022C		STEEL CABLE [C] FOR AUTOMATIC DOOR NA_071-72			
P30A	LA11420660	LAR11420660	FLANGE [C]			
P33A	LAR69010850		PRONG [C] L. 28,5			6/8/2014
P33A	LAR69010860		PRONG [C] L. 28,5		6/9/2014	
P34A	LA58007220	LAR58007220	CATCH [C] SPRING			
P35A	LA61620132	LAR61620132	SPRING [C] PRONG HOOK			6/8/2014
P35A	LA61620152	LAR61620152	SPRING [C] PRONG HOOK		6/9/2014	
P36A	LA58007170	LAR58007170	SUPPORT [C] SPRING TRIP WITH LEVER			
P37A	LA58007200	LAR58007200	BUSH [C] EXTERNAL AUTOM. RELEASE			
P39A	LAR65265100		MICROSWITCH [C] DOOR			
P40A	LA67016871		BUTTON [C] AUTOMATIC DOOR N RELOADED			
P41A	LA65210020	LAR65210020	FUSE CARRIER [C] 5X20			
P42A	LA61660130	LAR61660130	TERMINAL [C]			
P43A	LA65301760	LAR65301760	DIODE BRIDGE [C]			
P44A	LA65170100	LAR65170100	RELAY [C]			
P45A	LA67017890		DOOR COVER [C] N071/101 W/TANK			

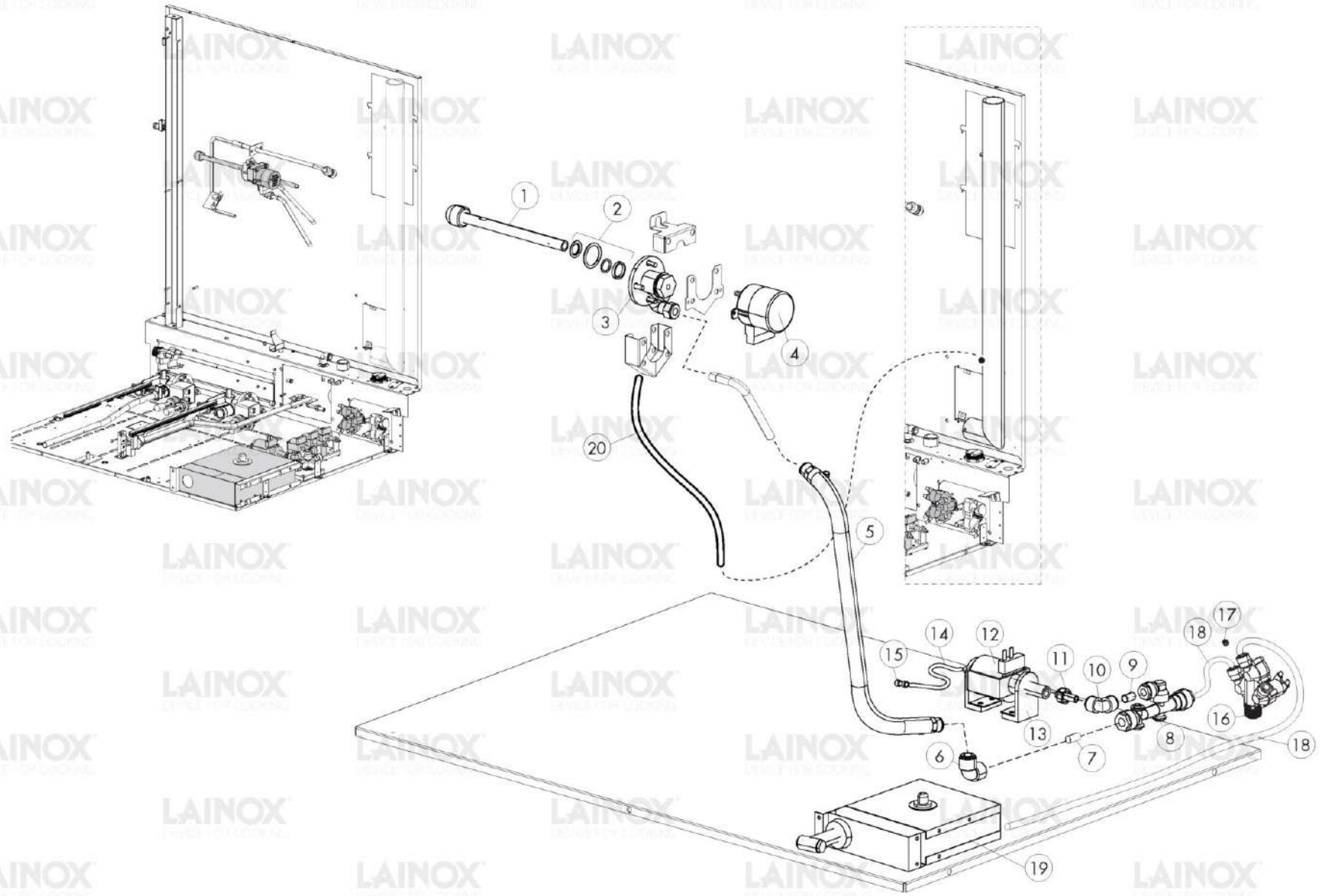


Warning! The exploded views refer to the general model

**TAV. C**

Pos.	Code	Previous code	Description	Notes	From:	To:
00C1	LA70040030	LAR70040030	GASKET [C] GLASS CONTROL PANEL BOARD N 2014			
00C2	LA65302492		BOARD [C] DISPLAY NABOO + BLACK PASTIC FRAME SOM E			
00C2	LA65302592		SCHEDA DISPLAY NA10+FR.PLAST +ETHE.SOM E	Ethernet		
00C3	LA69030241		ENCODER KNOB [C] D.70 BLACK N			
00C4	LA65302501		ENCODER [C] PUSH NABOO [C] + WIRE L= 60CM			
00C5	LA69030330	LAR69030330	COUNTER FLANGE [C]			
00C6	LA69030320	LAR69030320	RING NUT [C] D. 116			
00C7	LA65321310	LAR65321310	CAP [C] USB SOCKET			
00C8	LA65321331		ASS.TAPPO PER PRESA SONDA A/C N/S 2020			
00C9	LAR14200690		FRONT PANEL ASSEMBLY [C] N071 2014			
00E1	LA65280490		TOROIDAL FERRITE [C] FT36			
00E2	LA65450211		INDUCTOR [C] 27 mH 8A			
00E3	LA65280230	LAR65280230	AIR FILTER [C]			
00E4	LA65220091	LAR65220091	TERMINAL BLOCK [C]			
00E5	LA65140380	LAR65140380	CONTACTOR [C] 3RT1016-1AP02			8/15/2016
00E5	LA65140400	LAR65140400	CONTACTOR [C] 3RT1025-1AL20			8/15/2016
00E5	LA65140900		CONTACTOR [C]		8/16/2016	
00E5	LA65140910		CONTACTOR [C] 3RT2025-1AL20		8/16/2016	
00E6	LA65140420	LAR65140420	CONTACT [C] 1L+1R 3RH1911-1FA11			8/15/2016
00E6	LA65140930	LAR65140930	CONTACT [C] 1L+1R 3RH2911-1HA11		8/16/2016	
00E7	LA65180430		TRANSFORMER [C] 40VA 0-220-240/12V			
00E7	LA65187110		TRANSFORMER [C] 40VA 2.5/12/24V	UL Version (USA-CAN)		
00E8	LA65180420		TRANSFORMER [C] 20VA 0-220-240/12V			2/8/2019
00E8	LA65187110		TRANSFORMER [C] 40VA 2.5/12/24V	UL Version (USA-CAN)		2/8/2019
00E8	LA65187260		BALLAST [C] LED APV-12-12	LED	2/11/2019	
00E9	LA14424581		OUTER BOX AIR CONVEYOR			
00S1	LA65302481		MAIN BOARD [C] NABOO			
00S2	LA65301750	LAR65301750	CONNECTING CABLE [C]			
00S3	LA65302530	LAR65302530	EXPANSION BOAD [C] WASHING NABOO			
00S4	LA65280480	LAR65280480	FERRITE [C]			
00S5	LAR65140090		INVERTER [C] 0,8KW UL	UL Version (USA-CAN)		
00S5	LAR65140100		INVERTER 0,8 KW		4/1/2018	
00S5	LAR65141040		INVERTER [C] 0.8KW			3/30/2018
00S6	LA65210020	LAR65210020	FUSE CARRIER [C] 5X20			

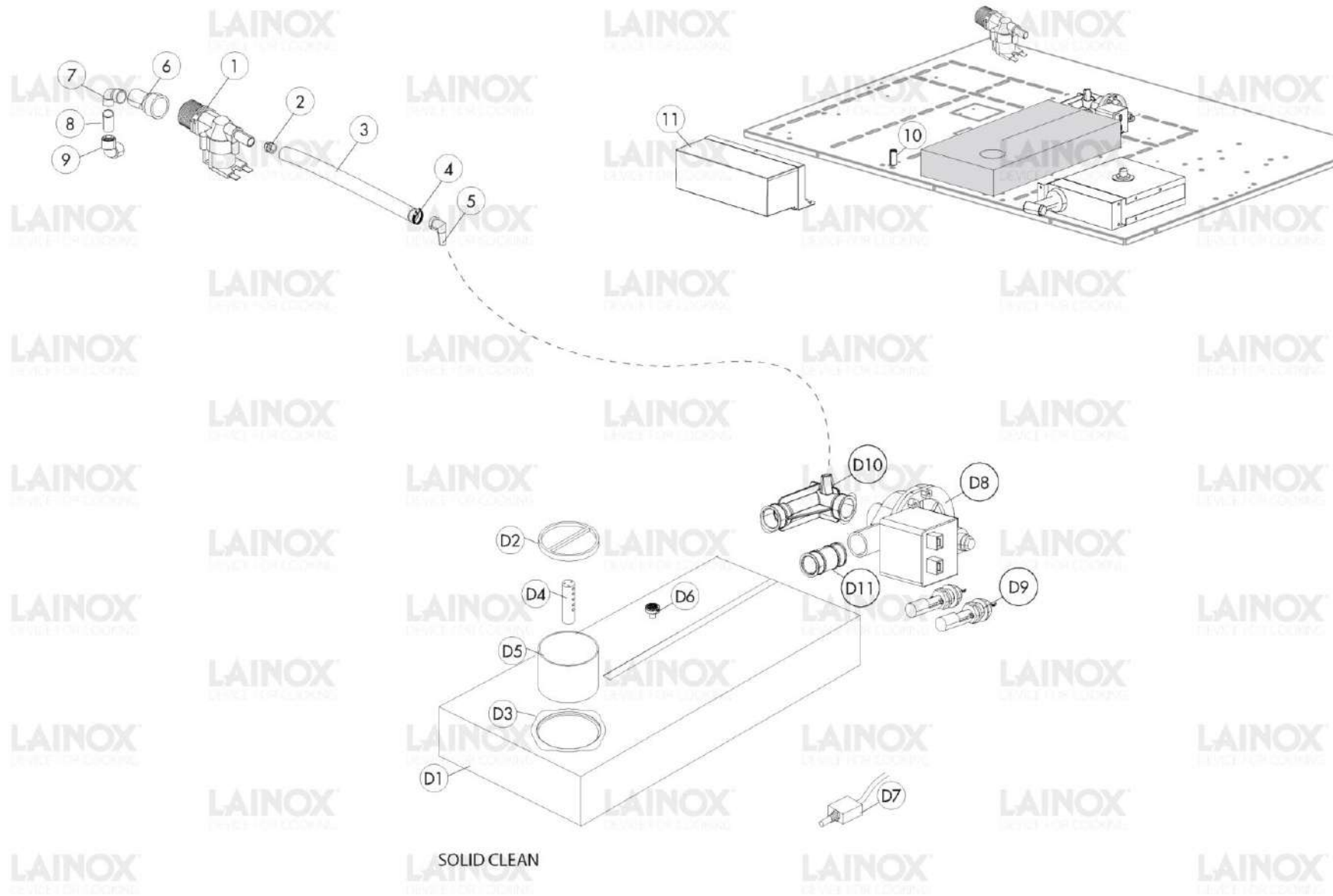
Pos.	Code	Previous code	Description	Notes	From:	To:
0C10	LA14402530	LAR14402530	CONNECTIONS FRAME [C]			
0C11	LA65321360	LAR65321360	F-CONNECTOR [C] FOR CORE PROBE L. 1000			
0C12	LA65321500		CORE PROBE [C] 4 POINTS 6 PLUG			
0C13	LA86020400		CORE TEMPERATURE PROBE BOX [C]			
0C14	LA65330060	LAR65330060	LOUDSPEAKER [C]			
0C15	LAR80100101		PROFILO GUARNIZIONE NERO 2CRISTALLI 5M			
0C16	LA65302600	LAR65302600	CONNECTING CABLE [C] BOARD/USB OUTLET L. 850			
0C17	LAR65303030		ADHESIVE ANTENNA [C] BOARD NA 2014			
0C18	LA70010290	LAR70010290	GASKET [C] 115X2,5			
0E10	LA65070350	LAR65070350	THERMOSTAT [C] 360Å°C-25K			
0E10	LA65070370		THERMOSTAT [C] 360Å°C	UL Version (USA-CAN)		
0E11	LA65060050	LAR65060050	FAN [R] D. 120 4715MS 23T			
0E12	LAR75300020		PLATE [C] FAN D. 120			
0E13	LAR65210110		PORTAFUSIBILE BUSMANN BCC3X38 (2306338)	UL Version (USA-CAN)		
0E14	LAR65200400		FUSIBILE X MOT. KTK-R-6 600V 6A CL. CC	UL Version (USA-CAN)		
0E15	LA65160620	LAR65160620	HEAT-GUARD [C] 1,4-2,0	UL Version (USA-CAN)		8/15/2016
0E15	LA65160880		HEAT-GUARD [C] 1,4-2,0	UL Version (USA-CAN)	8/16/2016	
0E16	LA65160550	LAR65160550	SUPPORT [C] HEAT-GUARD 3RU1916-3AA01	UL Version (USA-CAN)		8/15/2016
0E16	LA65160810	LAR65160810	THERMIC SUPPORT	UL Version (USA-CAN)	8/16/2016	



Warning! The exploded views refer to the general model

**TAV. D**

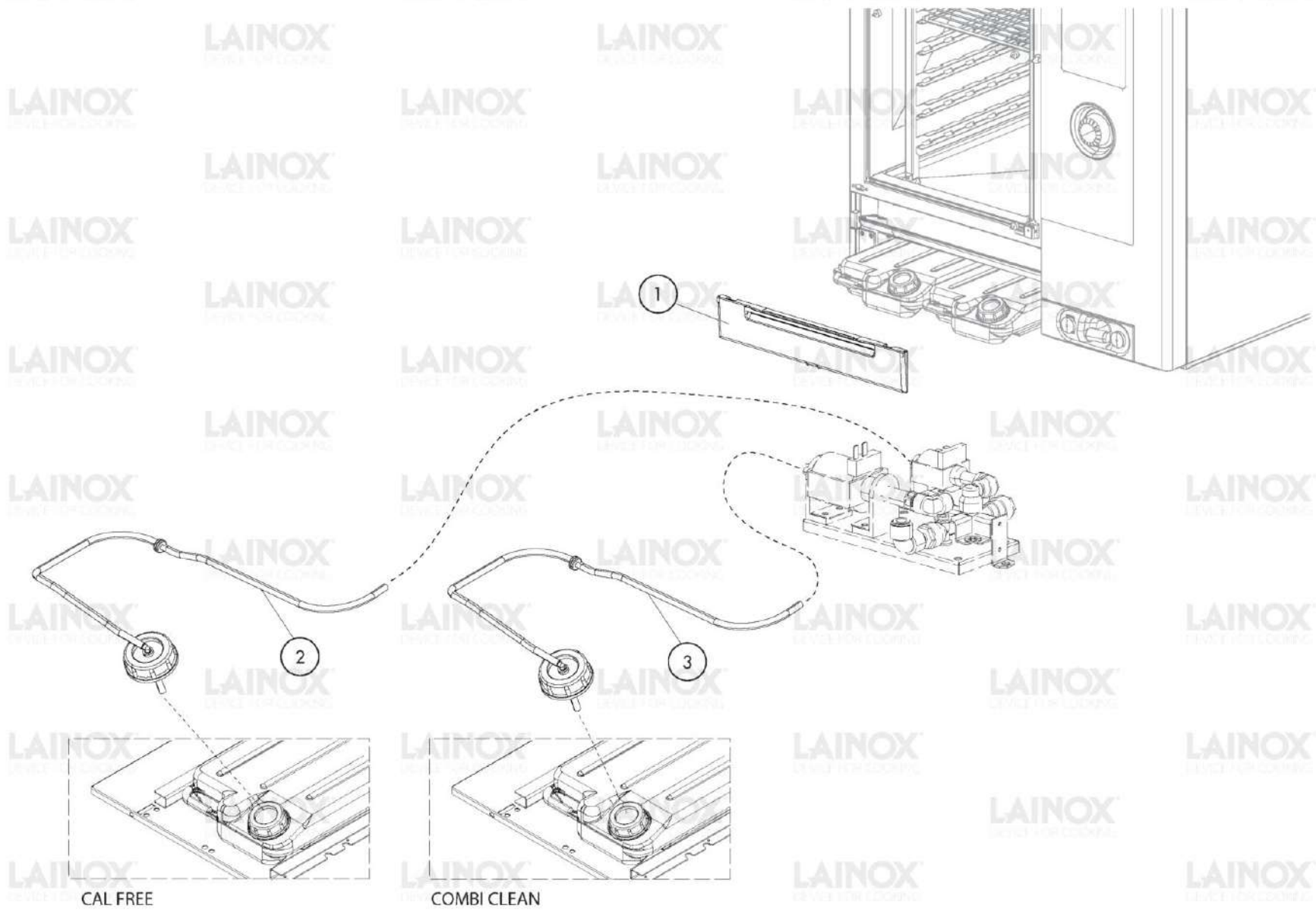
Pos.	Code	Previous code	Description	Notes	From:	To:
0001	LAR58007420		WASHING HEAD [C]			
0002	LAR70045120		GASKET [W] MOB WASHING			
0003	LAR58007020		FLANGE [C] MOB WASHING			
0004	LAR65090260		GEARMOTOR [C]			
0005	LA14170300		KIT DETERGENT WASHING PIPE [C] N/ S071-101-072-102			
0006	LA62090478	LAR62090478	INTERMEDIATE CURVED CONNECTOR [C] D. 10			
0007	LA80150000		LIGHT BLUE POLYETHYL PIPE D. 10X7MM			
0008	LA62090888	LAR62090888	MANIFOLD [C]		7/7/2014	
0009	LA80150020	LAR80150020	TRANSPARENT POLIURETHANE PIPE [C] D. 8X6MM			
0010	LA62090498	LAR62090498	INTERMEDIATE CURVED CONNECTOR [C] D. 8			
0011	LA62090608	LAR62090608	END SIDE PIPE [C]			
0012	LAR65110600		PUMP [C] WITH OSCILLATING PISTON			
0013	LA65110610		PUMP SUPPORT [C] ET500/8			
0014	LA80150020	LAR80150020	TRANSPARENT POLIURETHANE PIPE [C] D. 8X6MM			
0015	LA62090878	LAR62090878	INTERMEDIATE STRAIGHT CONNECTOR [C] D. 8			
0016	LAR65110240		SOLENOID VALVE [C] 220V 50HZ 3 OUTLETS JG CONNECTION			3/2/2015
0016	LAR65110360		DOUBLE SOLENOID VALVE 3 WAY D.10		3/3/2015	
0016	LAR65110790		SOLENOID VALVE [C] 230V 50/60HZ	UL Version (USA-CAN)		
0018	LA80150000		LIGHT BLUE POLYETHYL PIPE D. 10X7MM			
0019	LA62200172	LAR62200172	SHOWER HEAD [C] N071/101/072/102 2014			
0020	LA80120060	LAR80120060	TRANSPARENT SILICONE PIPE [C] SR60/ TR 7/12			



Warning! The exploded views refer to the general model

**TAV. E - SCS**

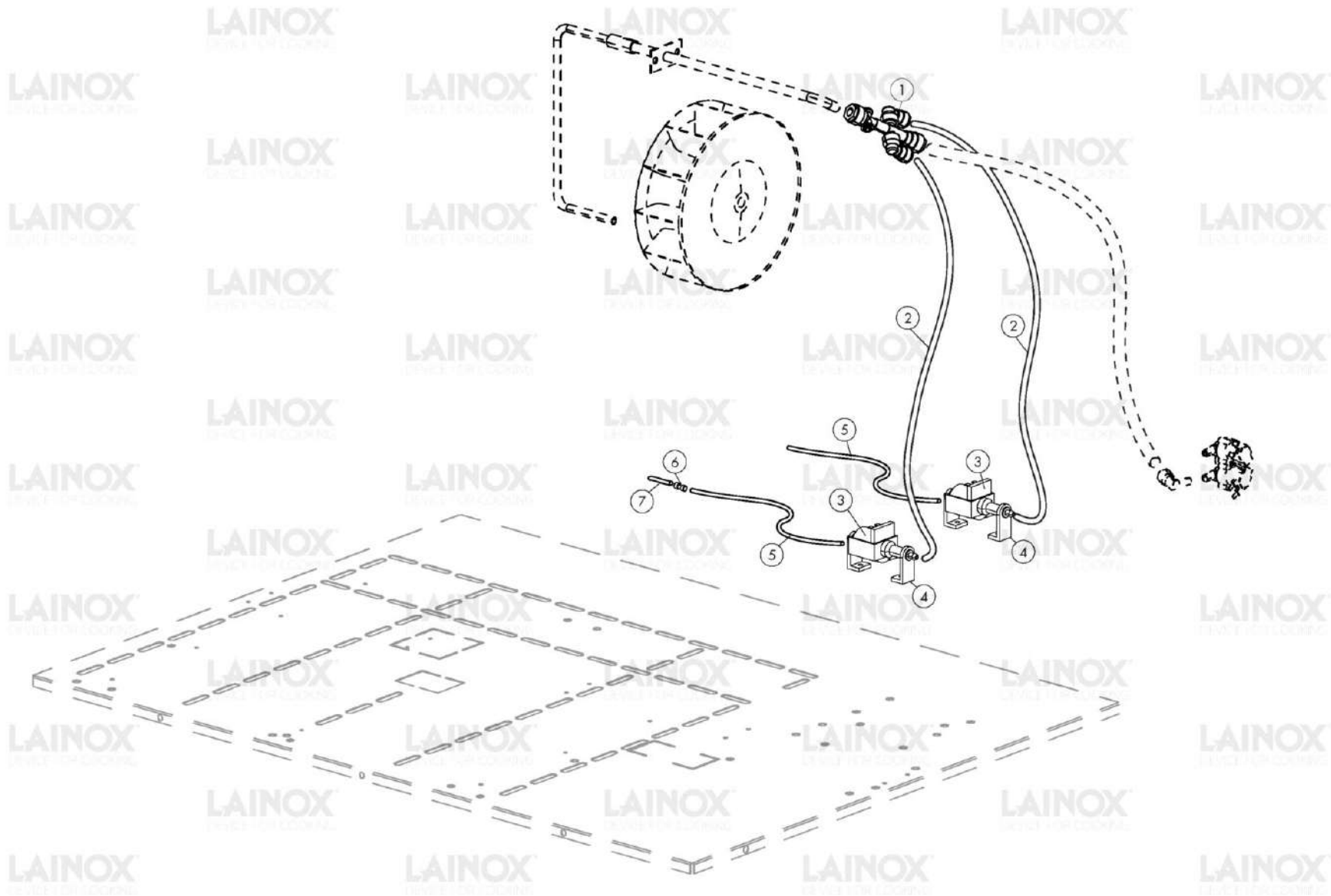
Pos.	Code	Previous code	Description	Notes	From:	To:
0001	LA65110200	LAR65110200	SOLENOID VALVE [C] 220V 50HZ 1 OUTLET JG CONNECTION			
0001	LA65110530	LAR65110530	MASS FLOW PURPLE REGULATOR [C] 2L/ MIN			
0003	LA80120060	LAR80120060	TRANSPARENT SILICONE PIPE [C] SR60/ TR 7/12			
0004	LA61630121	LAR61630121	SPRING BAND [C] D. 13,7MM			
0005	LA62090938	LAR62090938	CONNECTOR [C] D.8			
0006	LA65110690	LAR65110690	CONNECTOR [C]			
0007	LA62090528	LAR62090528	CURVED CONNECTOR [C] 10X10			
0008	LA80150000		LIGHT BLUE POLYETHYL PIPE D. 10X7MM			
0009	LA62090478	LAR62090478	INTERMEDIATE CURVED CONNECTOR [C] D. 10			
0010	LA58006960		PERNO A,9 DIVIS.CASSETTI N/S 071-101 2014			
0011	LA69040070	LAR69040070	FALSE DRAWER [C]			
00D1	LAR14162580		COMPLETE DETERGET DRAWER [C]	50Hz		
00D1	LAR14166020		COMPLETE DETERGET DRAWER [C]	60Hz		
00D2	LA69040040	LAR69040040	CAP [C] N/S 2014 D. 90			
00D3	LA69040021		RING NUT [C] D.90			
00D4	LA69040050	LAR69040050	VAPORISER [C]			
00D5	LA69040060	LAR69040060	FILTER [C] WASHING DRAWERS N/S 2014			
00D6	LAR62090718		AIR FILTER [C]			
00D7	LAR65260900K		MICROSWITCH DRAWER SOLID CLEAN			
00D8	LA65110301		POMPA SINCR.220V50HZ30W(GRE MOD.931)2021	50Hz		
00D8	LA65110310	LAR65110310	PUMP [C] 220V 60HZ	60Hz		
00D9	LA65260910	LAR65260910	CONTROL [C] LEVEL			
0D10	LA69040140		CONNECTOR DRAWER DETERGENT PUMP			
0D11	LA69040150		CUFF [C] PUMP DETERGENT			



Warning! The exploded views refer to the general model

**TAV. F - LCS**

Pos.	Code	Previous code	Description	Notes	From:	To:
0001	LA69180340		DOOR [C] REMOVABLE TANKS			
0003	LA14171801		KIT DETERGENT WASHING PIPE [C] N/ S071			



Warning! The exploded views refer to the general model

## TAV. G - SMOKEGRILL

Pos.	Code	Previous code	Description	Notes	From:	To:
0001	LA62090898	LAR62090898	MANIFOLD [C]			
0002	LA80150020	LAR80150020	TRANSPARENT POLIURETHANE PIPE [C] D. 8X6MM			
0003	LAR65110620		PUMP [C] 230V 50HZ			
0004	LA65110630	LAR65110630	SUPPORT [C] PUMP			
0005	LA80150020	LAR80150020	TRANSPARENT POLIURETHANE PIPE [C] D. 8X6MM			
0006	LA62090798	LAR62090798	STRAIGHT REDUCTION [C] D. 8-6			
0007	LA80150030	LAR80150030	LLDPE PIPE [C] D. 6X4MM			