






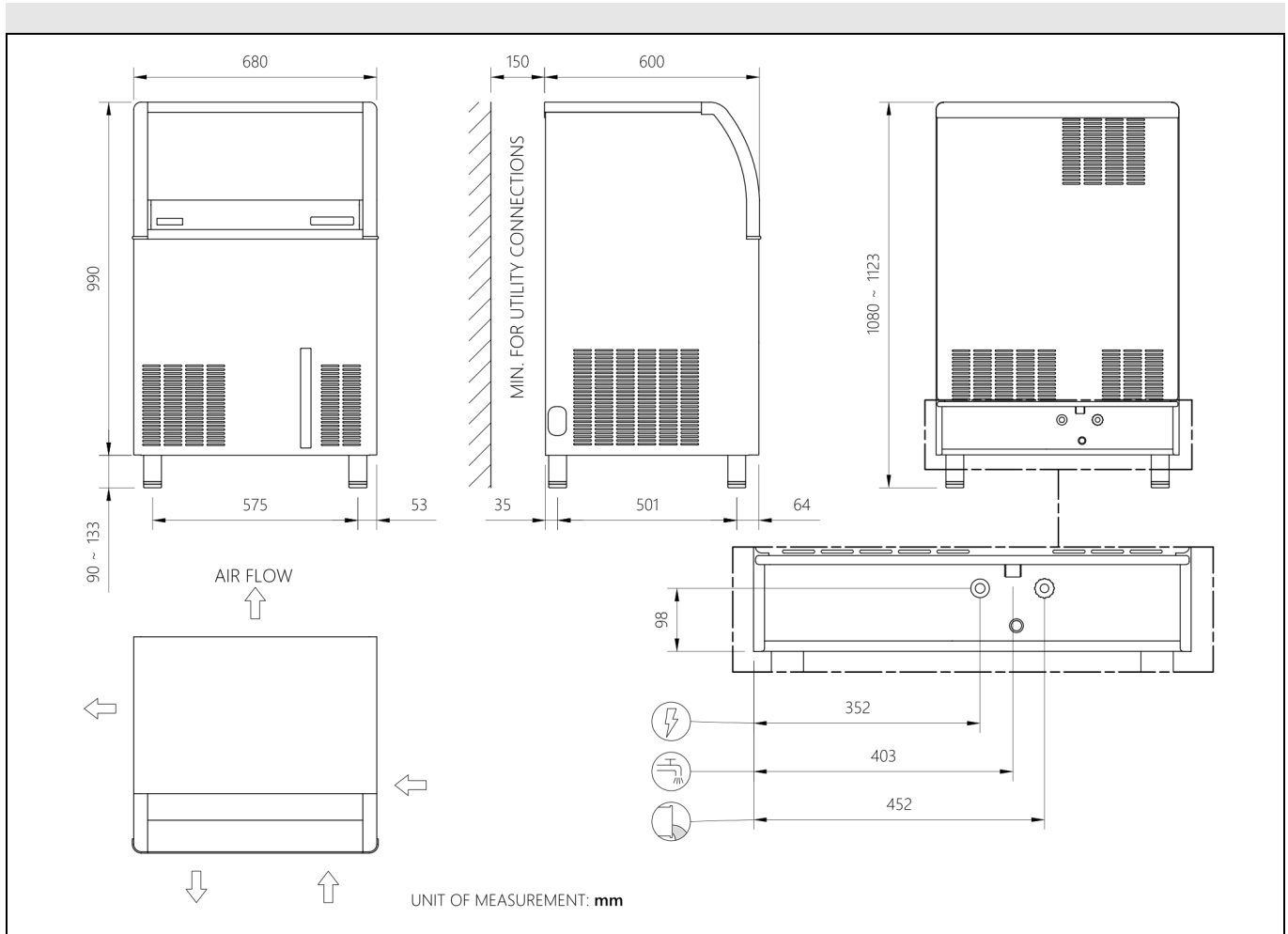
AC 177

Self Contained Ice machine up to 83 kg

	<p>CHARACTERISTICS</p> <ul style="list-style-type: none"> • Production of single Gourmet cubes with a truncated cone shape. • External finish in stainless steel. • Electronic control. • Front airflow for air-cooled model for undercounter installations. • Easy-access front ON/OFF switch. • Clean Alert: A flashing light alerts you when it's time to clean the filter. • Door closing system equipped with anti-noise rubber pads. 																							
<div style="display: flex; flex-direction: column; gap: 10px;"> <div>  <p>AC S Little Gourmet 8 g Ø 21 mm - H 25 mm</p> </div> <div>  <p>AC M Medium Gourmet 20 g Ø 30 mm - H 34 mm</p> </div> <div>  <p>AC L LARGE GOURMET 39 g Ø 38 mm - H 41 mm</p> </div> </div> <table border="1" data-bbox="134 1256 639 1431"> <thead> <tr> <th>Model</th> <th>Cube</th> <th>Ø</th> <th>H</th> <th>Weight</th> </tr> </thead> <tbody> <tr> <td>AC S</td> <td>Small</td> <td>21 mm</td> <td>25 mm</td> <td>8 g</td> </tr> <tr> <td>AC M</td> <td>Medium</td> <td>30 mm</td> <td>34 mm</td> <td>20 g</td> </tr> <tr> <td>AC L</td> <td>Large</td> <td>38 mm</td> <td>41 mm</td> <td>39 g</td> </tr> </tbody> </table>	Model	Cube	Ø	H	Weight	AC S	Small	21 mm	25 mm	8 g	AC M	Medium	30 mm	34 mm	20 g	AC L	Large	38 mm	41 mm	39 g	<p>CONDENSING SYSTEM Air condensation Water condensation</p>	<p>BIN CAPACITY</p> <table border="1" data-bbox="1007 958 1458 1048"> <tr> <td style="text-align: center;">KG</td> </tr> <tr> <td style="text-align: center;">48</td> </tr> </table>	KG	48
Model	Cube	Ø	H	Weight																				
AC S	Small	21 mm	25 mm	8 g																				
AC M	Medium	30 mm	34 mm	20 g																				
AC L	Large	38 mm	41 mm	39 g																				
KG																								
48																								
<p>CERTIFICATIONS</p> 	<p style="text-align: center;">OPERATIONAL REQUIREMENTS</p> <table border="1" data-bbox="679 1503 1458 1722"> <thead> <tr> <th></th> <th>Minimum</th> <th>Maximum</th> </tr> </thead> <tbody> <tr> <td>Air temperature</td> <td style="text-align: center;">10</td> <td style="text-align: center;">43</td> </tr> <tr> <td>Water temperature</td> <td style="text-align: center;">5</td> <td style="text-align: center;">38</td> </tr> <tr> <td>Water pressure</td> <td style="text-align: center;">1 bar (14 psi)</td> <td style="text-align: center;">5 bar (70 psi)</td> </tr> <tr> <td>Voltage</td> <td style="text-align: center;">-10%</td> <td style="text-align: center;">+10%</td> </tr> </tbody> </table>			Minimum	Maximum	Air temperature	10	43	Water temperature	5	38	Water pressure	1 bar (14 psi)	5 bar (70 psi)	Voltage	-10%	+10%							
	Minimum	Maximum																						
Air temperature	10	43																						
Water temperature	5	38																						
Water pressure	1 bar (14 psi)	5 bar (70 psi)																						
Voltage	-10%	+10%																						
<p>IMPORTANT NOTE Models and specifications are subject to change without notice. This spec sheet is for sales purposes only. For technical documentation, please refer to our service manuals.</p>	<p style="text-align: center;">www.scotsman-ice.it</p>																							

AC 177

Self Contained Ice machine up to 83 kg



MACHINE DATA			SHIPPING DATA				(*) The data refers to the following temperature conditions: 32°C Ambient / 21°C Water		
Dimensions (LxWxH): 680 x 600 x 1080 mm Net weight 59 kg			Dimensions (LxWxH): 75 x 67 x 117 cm Peso netto 68 kg						

Version	Voltage	Condensation	Ice production kg in 24 h °C Ambient / °C Water			Heat dispersion kW	Consumo Energia (*) kWh/24h	Consumption Water (*) l/h	Instant power W	Cables No. x Ømm²	Fuse A
			10°C/10°C	21°C/10°C	32°C/21°C						
ACL 177 AS 230/50/1	230\50\1	A	69	66	57	1,20	15,0	8,0	830	1,50	10
ACL 177 WS 230/50/1	230\50\1	W	71	68	62	1,20	13,0	56,0	700	1,50	10
ACM 177 AS 230/60/1	220- 240\60\1	A	82	81	65	1,80	17,0	13,0	970	1,50	10
ACM 177 AS 230/50/1	230\50\1	A	83	82	61	0,00	13,0	13,0	750	1,50	10
ACM 177 WS 230/50/1	230\50\1	W	78	74	67	1,20	12,0	52,0	620	1,50	10
ACS 177 AS 230/50/1	230\50\1	A	69	64	45	1,50	15,0	11,0	820	1,50	10